

EB0014(A)/EB0015(A) 3/6kW

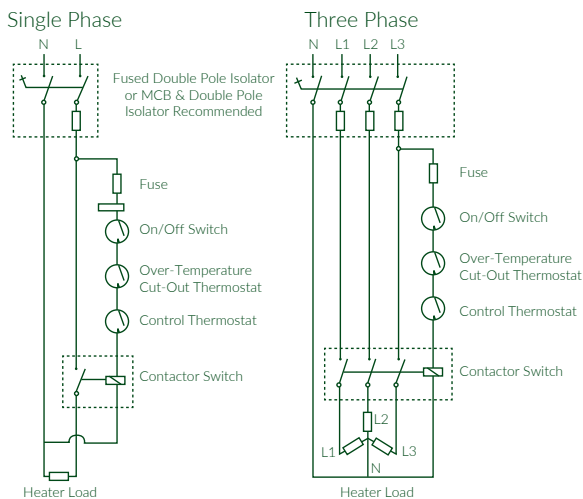
Electric Immersion Heater Kits for Indirect Cylinders



Suggested Wiring Layout:

A suitable contactor switch is required for all installations. For three phase supplies, the copper busbar connecting the live terminals should be removed.

Note that fuses, contactors, isolators and on/off switches must be supplied separately.



This appliance must be earthed.

The design of the IT/ITS/ITE/ST and SSB/SSI/SST range of indirect water heaters and buffer vessels allow for the installation of supplementary immersion heaters, granting a reliable level of reserve heating capacity in the event of a primary heat source failure.

Utilising an electric immersion heater as a backup source of water heating is a practical alternative to installation of an entire secondary heating unit, and is both unobtrusive to existing systems and easily maintained.

Each heater connects using supplied adapter flanges to fit the clean-out access of the hot water tanks, and includes both control and over-temperature cut-out thermostats contained within the IP55-rated terminal. The elements are sheathed with Nicalloy 825, and are operable up to temperatures of 90° C and pressures of up to 6 Bar.

| Technical Specification | EB0014 | EB0014A | EB0015 | EB0015A |
|-------------------------------------|--|---------------------------|--|---------------------------|
| Capacity | 3kW | | 6kW | |
| Phase Input | 1 or 3 | | 1 or 3 | |
| Supply | 230V/50Hz 415V/3ph/50Hz | | 230V/50Hz 415V/3ph/50Hz | |
| Wiring | L, N, E, or L1, L2, L3, N, E | | L, N, E, or L1, L2, L3, N, E | |
| Power (single phase) | 13A | | 26A | |
| Power (three phase) | 5A/phase | | 9A/phase | |
| Intensity | 8.7 W/cm ² | | 9.2 W/cm ² | |
| Immersed length | 280mm (11") | | 360mm (14") | |
| Control Thermostat: Part E0043.1 | 30-70°C, 10A | | | |
| Overheat Thermostat: Part E0044 | Factory Set at 95°C, 10A | | | |
| Compatible Range | ST/IT/ITE/ITS 300-500, SSB/SSI/SST 500-2500 | ST/IT/ITE/ITS 600-1000 | ST/IT/ITE/ITS 300-500, SSB/SSI/SST 500-2500 | ST/IT/ITE/ITS 600-1000 |
| Boss Connection | 2.25" BSP Brass | | | |
| Flange Adapter | 182mm (0310038S) | 257mm (0310041S) | 182mm (0310038S) | 257mm (0310041S) |
| Gasket Part | E0042.1 | E0042 | E0042.1 | E0042 |
| Immersion Heater Part | E0021 | | E0022 | |
| Ancillaries | Integral Control and Over Temperature Thermostat | | Integral Control and Over Temperature Thermostat via Contactor | |

Advenco Ltd. Unit 7&8 Armstrong Mall, Southwood Business Park, Farnborough, Hampshire GU14 0NR
T: 01252 551 540 info@advenco.co www.advenco.co

PRACTICAL, EFFICIENT & SUSTAINABLE
BUILDING SERVICES SOLUTIONS

