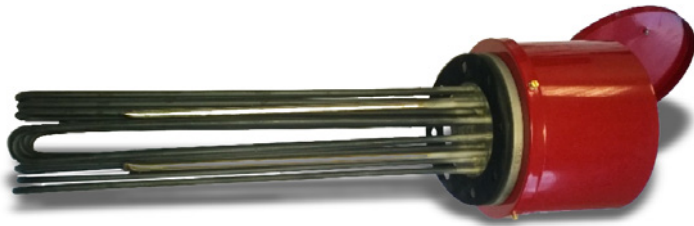


EB0018(A)/EB0019(A) 18/24kW

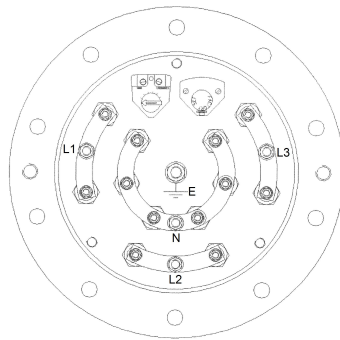
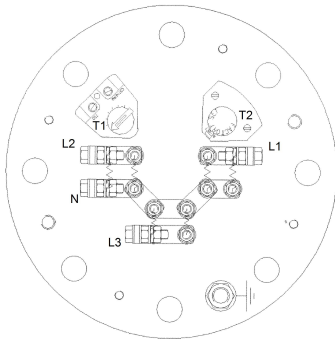
Electric Immersion Heater Kits for Indirect Cylinders



The design of the IT/ITS/ITE/ST and SSB/SSI/SST range of indirect water heaters and buffer vessels allow for the installation of supplementary immersion heaters, granting a reliable level of reserve heating capacity in the event of a primary heat source failure.

EB0018, EB0019A Terminal Layout

EB0018A, EB0019 Terminal Layout



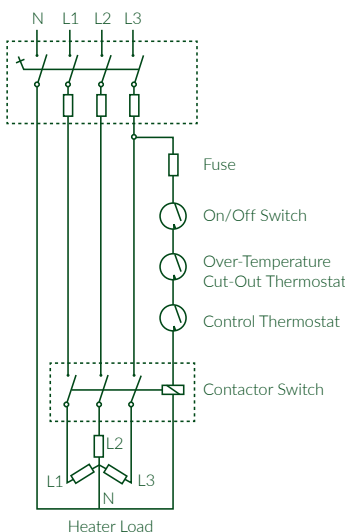
Utilising an electric immersion heater as a backup source of water heating is a practical alternative to installation of an entire secondary heating unit, and is both unobtrusive to existing systems and easily maintained.

Each immersion heater is supplied with a gasket and flange to connect directly into the clean-out access of its compatible range of tanks. Also included is a combined dual control and over-temperature cut-out thermostat and pocket. The elements are operable up to temperatures of 90°C and pressures of up to 10 bar.

Suggested Wiring Layout:

Note that fuses, contactors, isolators and on/off switches must be supplied separately. Terminal thermostat pockets should remain empty. Dual stat pocket provided should be installed separately, above the elements with at least 300mm separation.

This appliance must be earthed.



Technical Specification	EB0018	EB0018A	EB0019A	EB0019
Capacity	18kW		24kW	
Supply	415V/3ph/50Hz			
Wiring	L1, L2, L3, N, E			
Power (three phase)	26A/phase		35A/phase	
Intensity	9.4 W/cm ²	7.8 W/cm ²	9.2 W/cm ²	9.1 W/cm ²
Immersed length	460mm (18")		510mm (20")	
Dual Thermostat and Pocket Part: E0010	Control Range: 25-65°C Overheat Set: 80°C			
Compatible Range	ST/IT/ITE/ITS 300-500, SSB/SSI/SST 500-2500	ST/IT/ITE/ITS 600-1000	ST/IT/ITE/ITS 300-500, SSB/SSI/SST 500-2500	ST/IT/ITE/ITS 600-1000
Immersion Heater Part No.	E0025	E0025A	E0026	E0026A
Ancillaries	Integral Control and Over Temperature Thermostat via Contactor			
Gasket Part	E0042.1	E0042	E0042.1	E0042
Element Rod Mounting	Fixed	Replaceable	Fixed	Replaceable

Advenco Ltd. Unit 7&8 Armstrong Mall, Southwood Business Park, Farnborough, Hampshire GU14 0NR
T: 01252 551 540 info@advenco.co www.advenco.co

**PRACTICAL, EFFICIENT & SUSTAINABLE
BUILDING SERVICES SOLUTIONS**

