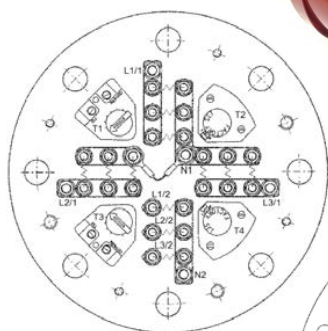
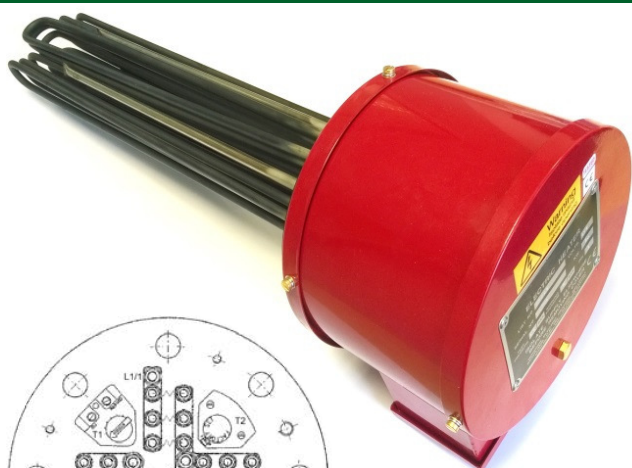


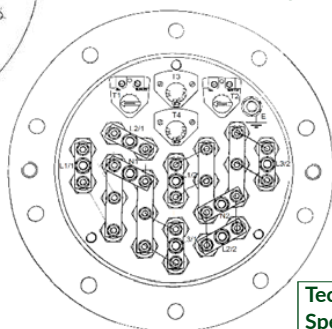
# EB0027/EB0031 18+9/21+21kW

## Multi-Circuit Immersion Heater Kits for Indirect Cylinders



↑ EB0027 Terminal layout:

↓ EB0031 Terminal layout:



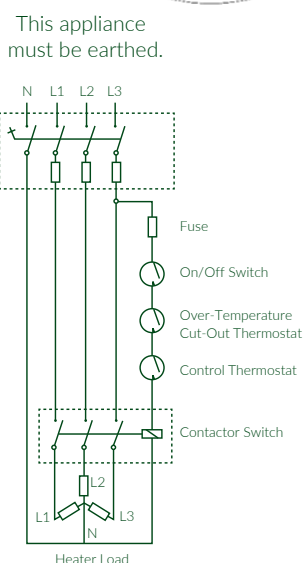
The Adveco EB0027 and EB0031 electric immersion heater kits are a range of dual-circuit heaters, delivering an inbuilt level of redundancy which ensures a continuous supply of hot water even in the event of a primary heater failure.

Both primary and secondary heating elements are housed within a single IP41-rated terminal box, allowing ease of installation and maintenance. The twin elements allow for an ideal duty-backup heating arrangement, or an adjustable heating intensity based on differential tariff supplies or to serve periods of peak demand.

Each immersion heater is supplied with a gasket and flange to connect directly into the clean-out access of its compatible range of tanks. Also included are control and over-temperature cut-out thermostats, plus pockets, for each element. The elements are operable up to temperatures of 90°C and pressures of up to 10 bar. Due to high heat intensity of the EB0031, it is recommended to be used only as a backup, or in systems with good scale control.

### Suggested Wiring Layout:

Note that fuses, contactors, isolators and on/off switches must be supplied separately. Terminal thermostat pockets should remain empty. Thermostat pocket provided should be installed separately, above the elements with at least 300mm separation.



Technical Specification	EB0027	EB0031
Capacity	18/9kW	21/21kW
Supply	2x: 415V/3ph/50Hz	
Wiring	L1, L2, L3, N, E	
Power (three phase)	18kW: 26A/phase 9kW: 13A/phase	31A/phase per circuit
Intensity	9.2 W/cm <sup>2</sup>	13.2 W/cm <sup>2</sup>
Immersed length	510mm (20")	518mm (20.4")
Thermostat Configuration	E0010: Dual Control (25-65°C) and Overheat (Set 80°C) Thermostat	E0008: Control Thermostat (30-70°C) E0009: Overheat Thermostat (Set 95°C)
Compatible Range	ST/IT/ITE/ITS 300-500, SSB/SSI/SST 500-2500	ST/IT/ITE/ITS 600-1000
Immersion Heater Part	E0048	E0031
Ancillaries	Integral Control and Over Temperature Thermostat via Contactor. EB0028 18/9kW Changeover switch.	Integral Control and Over Temperature Thermostat via Contactor
Gasket Part	E0042.1	E0042
Flange Size	180mm	250mm

Adveco Ltd. Unit 7&8 Armstrong Mall, Southwood Business Park, Farnborough, Hampshire GU14 0NR  
T: 01252 551 540 info@advenco.co www.advenco.co

PRACTICAL, EFFICIENT & SUSTAINABLE  
BUILDING SERVICES SOLUTIONS

