

E0021/E0022/E0023/E0024

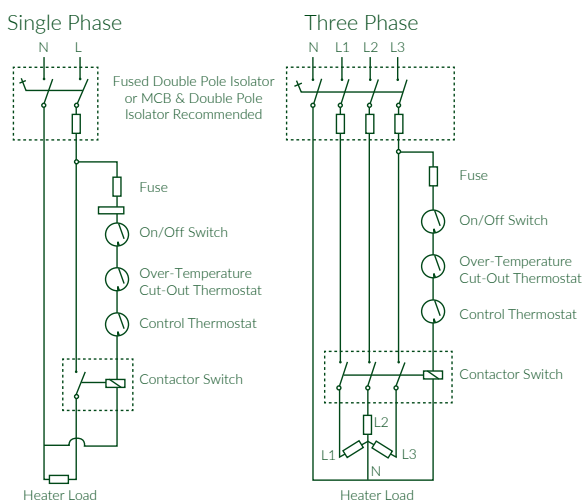
3/6/9/12 kW Electric Immersion Heaters



Suggested Wiring Layout:

A suitable contactor switch is required for all installations. For three phase supplies, the copper busbar connecting the live terminals should be removed.

Note that fuses, contactors, isolators and on/off switches must be supplied separately.



This appliance must be earthed.

The design of the IT/ITS/ITE/ST and SSB/SSI/SST ranges of indirect water heaters and buffer vessels allow for the installation of supplementary immersion heaters, granting a reliable level of reserve heating capacity in the event of a primary heat source failure.

Utilising an electric immersion heater as a backup source of water heating is a practical alternative to installation of an entire secondary heating unit, and is both unobtrusive to existing systems and easily maintained.

Each heater is designed to screw directly into the clean-out access of the hot water tanks, and includes both control and over-temperature cut-out thermostats contained within the IP55-rated terminal. The elements are sheathed with Nicalloy 825, and are operable up to temperatures of 90°C and pressures of up to 6 Bar.

Technical Specification	E0021	E0022	E0023	E0024
Capacity	3kW	6kW	9kW	12kW
Phase Input	1 or 3		3	
Supply	230V/50Hz, or 415V/3ph/50Hz		415V/3ph/50Hz	
Wiring	L, N, E, or L1, L2, L3, N, E		L1, L2, L3, N, E	
Power (single phase)	13A	26A	n/a	n/a
Power (three phase)	5A/phase	9A/phase	13A/phase	18A/phase
Intensity	8.7 W/cm ²	9.2 W/cm ²	9.4 W/cm ²	9.2 W/cm ²
Immersed length	280mm (11")	360mm (14")	460mm (18")	510mm (20")
Control Thermostat: Part E0043.1	30-70°C, 10A			
Overheat Thermostat: Part E0044	Factory Set at 95°C, 10A			
Compatible Range	SSB/SSI/SST 200-300		SSB/I/T 300	
Boss Connection	2.25" BSP Brass			
Ancillaries	Integral Control and Over Temperature Thermostat via Contactor			

