

# U00XX 35-500L Expansion Vessels

## Flow Through Expansion Vessels for Potable Water

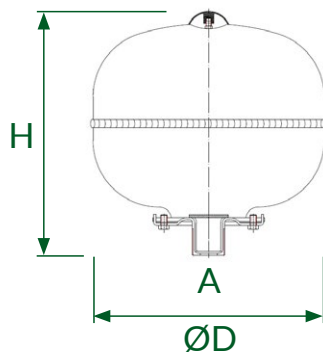


The Adveco U00XX range includes flow-through expansion vessels from 35 to 500 litres for use with potable water in domestic hot water installations.

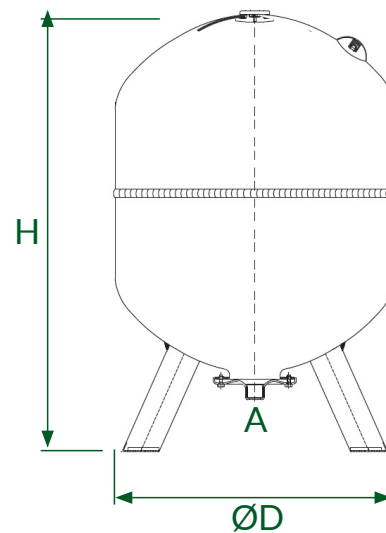
A flow-through type expansion vessel is established by pairing a standard vessel with an anti-legionella valve that diverts a portion of the incoming media flow to into the vessel. This continually renews the water within the vessel, thereby reducing legionella risk.

All expansion vessels are constructed from an epoxy coated steel shell with a replaceable EPDM membrane. Anti-legionella valves are constructed from DZR brass. All components are rated to 70°C and 10 bar, and are WRAS and PED approved products.

Vessels should be installed on the coldest part of a system to ensure that the temperature at the diaphragm does not exceed its limit.



U0059



U0060-U0083

### Technical Specifications: Vessels

Expansion vessel kit I.D.	U0059	U0083	U0077	U0078	U0060	U0061
Volume (l)	35	50	80	100	200	500
Outer diameter ØD (mm)	365	365	419	495	600	750
Height H (mm)	440	656	790	774	1020	1493
Vessel connection A (inch)	¾" BSP M	¾" BSP M	1" BSP M	1" BSP M	1 ¼" BSP M	1 ¼" BSP M
Pre-set pressure (bar)	3.0	3.0	3.5	3.5	3.5	3.5
Installation	Wall Hung	Floor Standing	Floor Standing	Floor Standing	Floor Standing	Floor Standing
<b>Kit includes parts:</b>						
Expansion vessel manufacturer I.D.	XVES050070	XVES050080	XVES050100	XVES050110	XVES050130	XVES050150
Anti-legionella valve manufacturer I.D.	ANTI100001	ANTI100001	ANTI100005	ANTI100005	ANTI100005	ANTI100005



