

SSB 200-2500

Stainless Steel Storage Cylinders for DHW Applications



The Adveco range of stainless steel domestic hot water tanks includes models suitable for use as hot water buffers, single coil, or dual coil calorifiers as required for the job.

The SSB range serve as buffer vessels only, supplied with two blank flanges and no internal heat exchange coils. With top and bottom tank connections and the capacity to install an electric immersion heating element, the SSB can be used to expand the dump load capacity of a hot water installation in addition to providing a level of redundancy to a domestic hot water system.

The complete range of tanks are WRAS certified, and are designed and manufactured to the requirements of the Pressure Equipment Directive (97/23/EC) and are tested to the procedure defined in BS EN 12897:2006.

FEATURES

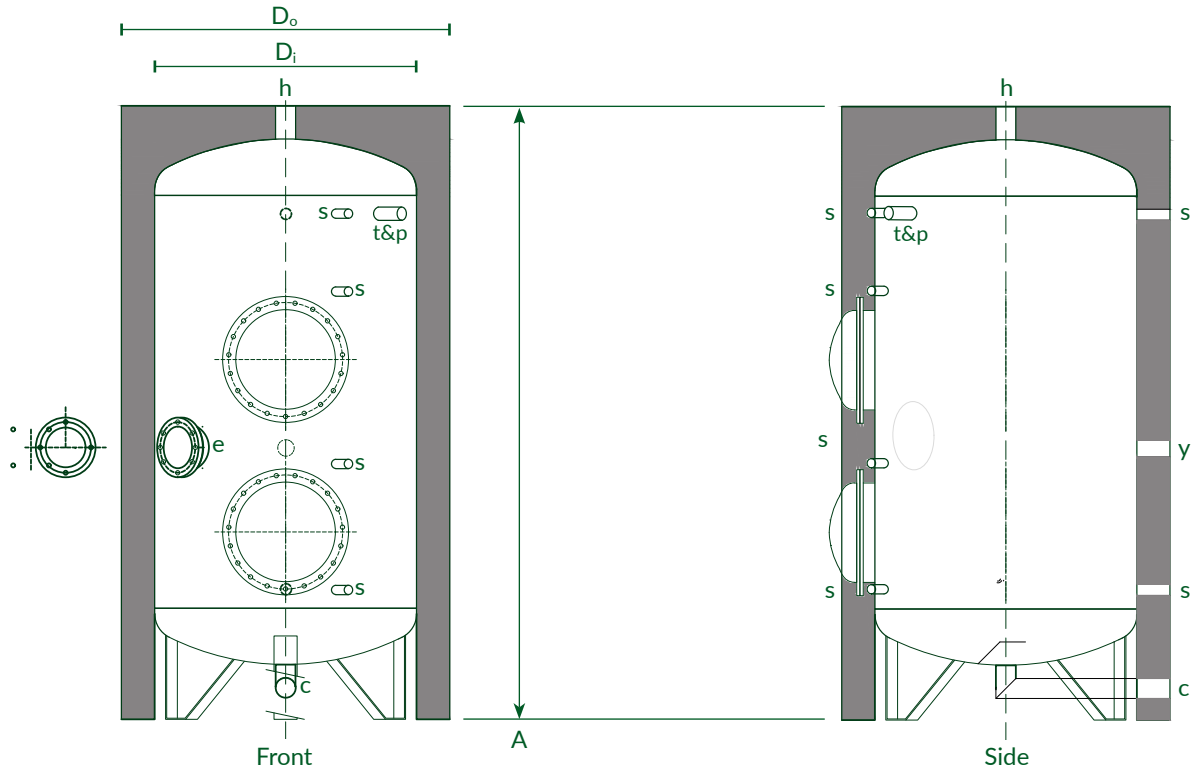
- Available with 200 - 2500 litre capacities
- Produced from high quality stainless steel
- 120 mm insulation for improved energy efficiency, of which 100 mm is removable for ease of installation.
- Suitable for vented or unvented installation
- Immersion heaters available from 3 - 36 kW
- 6 bar / 95°C max. working pressure/temperature
- Hot water storage or electric water heater



CERTIFICATION MARK

PRACTICAL, EFFICIENT & SUSTAINABLE
BUILDING SERVICES SOLUTIONS





Model	units	SSB 200	SSB 300	SSB 500	SSB 800	SSB 1000	SSB 1500	SSB 2000	SSB 2500
Volume	L	191	286	481	763	952	1426	2002	2535
D_o	mm	690	740	890	1030	1030	1240	1490	1640
D_i^*	mm	450	500	650	790	790	1000	1250	1400
A	mm	1420	1700	1750	1810	2140	2200	2050	2150
c Cold Inlet	inch	1.25	1.50	1.50	2.00	2.00	2.00	2.00	2.50
h Hot Outlet	inch	1.25	1.50	1.50	2.00	2.00	2.00	2.00	2.50
y Secondary	inch	1.5	1.50	1.50	1.50	1.50	1.50	1.50	1.50
s Sensor	inch	0.75	0.75	0.75	0.75	0.75	0.75	0.75	0.75
t&p Temperature & Pressure Relief	inch	1.00	1.00	1.00	1.00	1.00	1.00	1.00	1.00
e Immersion Port	inch, mm	2.25"	2.25"	180	180	180	180	180	180
Empty mass	kg	119	143	189	234	304	355	425	478

* Please note that when insulation jackets are removed for the purposes of manoeuvring vessel diameters will be $D_i + 40$ mm due to a non-removable insulation under-layer.

Ancillaries: All models

Control Thermostat: E0008/0-95C

Overheat Thermostat: E0011

Thermostat Pocket: E0009.2 (2x included with vessel)

De-stratification Pump Kit: MB0001

Unvented Kits: Contact Adveco for details