

MSS 500-5000 System Buffer Tanks

Vessels for Central Heating Systems



The Adveco MSS range of carbon steel primary system vessels has been carefully designed to serve as a diverse solution to all heating applications that require an inertia tank or energy storage vessel.

The units come as standard with high- and low-level flow and return connections on each side of the tank, and have additional connections in the middle to cater for systems featuring multiple heat sources, low and high grade heat sources, or varying return temperatures. Almost any heating application can be served by the Adveco MSS range, but for those that require special features, a bespoke tank can be designed on request.

The MSS range includes options for zero (MSS x00), one (MSS x01), or two (MSS x02) internal heat exchange coils for use with indirect heat sources. The full range is suitable for use with working pressures up to 5 bar and temperatures up to 95°C

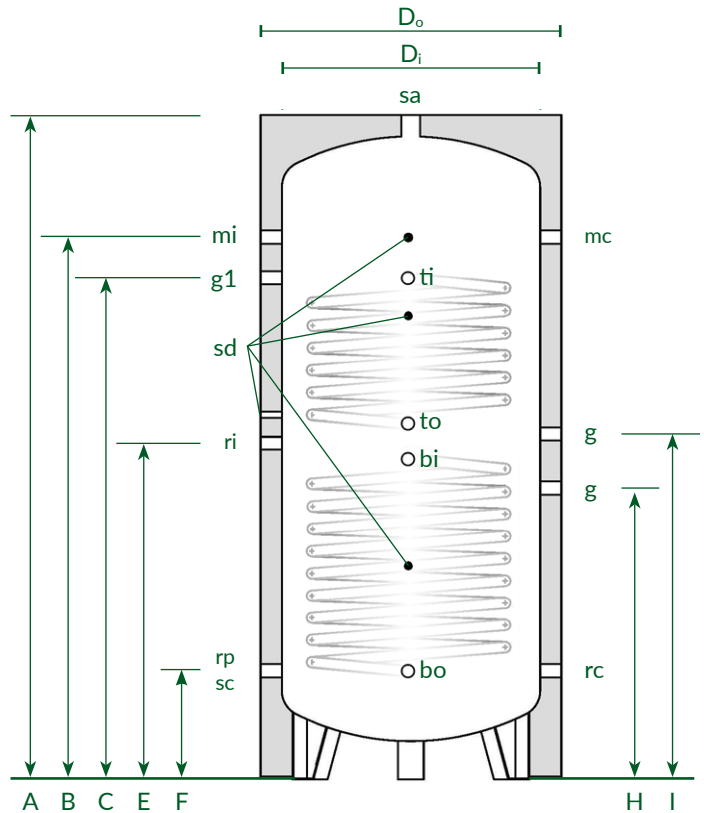
STANDARD FEATURES

- Vertical orientation
- MSS x00 range with zero heat exchange coils, to serve as system buffer vessels
- MSS x01 range with a single heat exchange coil in the bottom of the tank
- MSS x02 range with two heat exchange coils, at low and high level
- Working pressure 5 bar (tank); 9 bar (coils)
- 120 mm insulation for improved energy efficiency, of which 100 mm is removable for ease of installation.
- Ancillaries available, including:
 - Control and overheat thermostats
 - Automatic air vents and gauges



Coil Data:	Bottom coil		Top coil	
	Model	Area (m ²)	Input (kW)	Area (m ²)
MSS 501	2.1	21	---	---
MSS 502	2.1	21	1.2	12
MSS 801	2.7	27	---	---
MSS 802	2.7	27	1.5	15
MSS 1001	4.0	40	---	---
MSS 1002	4.0	40	3.0	30
MSS 1501	5.0	50	---	---
MSS 1502	5.0	50	3.5	35
MSS 2001	5.0	50	---	---
MSS 2002	5.0	50	4.0	40
MSS 2501	5.0	50	---	---
MSS 2502	5.0	50	4.2	42
MSS 3001	6.0	60	---	---
MSS 3002	6.0	60	4.2	42
MSS 4001	7.0	70	---	---
MSS 4002	7.0	70	5.0	50
MSS 5001	8.0	80	---	---
MSS 5002	8.0	80	5.0	50

Input capacities are based on 80/60°C flow/return temperatures with a 50°C tank temperature.



Connections:		MSS 500/1/2	MSS 800/1/2	MSS 1000/1/2	MSS 1500/1/2	MSS 2000/1/2	MSS 2500/1/2	MSS 3000/1/2	MSS 4000/1/2	MSS 5000/1/2
Port	Purpose									
mc	Flow from heat source	1.25	1.25	1.50	1.50	2.00	3.00	3.00	3.00	3.00
rc	Return to heat source	1.25	1.25	1.50	1.50	2.00	3.00	3.00	3.00	3.00
mi	Flow to system	1.25	1.25	1.50	1.50	2.00	3.00	3.00	3.00	3.00
rp, sc	Return from system and drain outlet	1.25	1.25	1.50	1.50	2.00	3.00	3.00	3.00	3.00
ri	Extra return from system	1.25	1.25	1.50	1.50	2.00	3.00	3.00	3.00	3.00
sa	Automatic air vent	1.00	1.00	1.00	1.00	1.00	1.00	1.00	1.00	1.00
sd	Sensors	0.50	0.50	0.50	0.50	0.50	0.50	0.50	0.50	0.50
g	Extra flow and return connections	1.25	1.25	1.50	1.50	2.00	3.00	3.00	3.00	3.00
g1	Extra flow and return connection	1.25	1.25	1.25	1.25	1.25	1.25	1.25	1.25	1.25
ti	Top coil inlet (x02 tanks only)	1.00	1.00	1.00	1.00	1.00	1.00	1.00	1.00	1.00
to	Top coil outlet (x02 tanks only)	1.00	1.00	1.00	1.00	1.00	1.00	1.00	1.00	1.00
bi	Bottom coil inlet (x01 & x02 tanks only)	1.00	1.00	1.00	1.00	1.00	1.00	1.00	1.00	1.00
bo	Bottom coil outlet (x01 & x02 tanks only)	1.00	1.00	1.00	1.00	1.00	1.00	1.00	1.00	1.00

Connection sizes given in inches

* Please note that when insulation jackets are removed for the purposes of manoeuvring vessel diameters will be D_i + 40 mm due to a non-removable insulation under-layer.

Dimensions:											
Model	Litres	Do	Di	A	B	C	E	F	H	I	Dry mass (kg)
MSS 500/1/2	489	890	650	1700	1360	1210	600	290	695	895	80/105/126
MSS 800/1/2	723	1030	790	1740	1370	1220	610	320	745	945	115/140/160
MSS 1000/1/2	1008	1090	850	2030	1640	1490	880	340	880	1080	135/180/215
MSS 1500/1/2	1449	1240	1000	2120	1685	1535	925	385	905	1105	170/230/270
MSS 2000/1/2	2054	1340	1100	2450	2000	1850	1240	400	1075	1275	240/310/350
MSS 2500/1/2	2328	1440	1200	2635	2155	1945	1335	555	1155	1555	290/335/370
MSS 3000/1/2	2941	1590	1350	2810	2195	1925	1315	455	1125	1525	300/345/390
MSS 4000/1/2	3796	1640	1400	2900	2285	2065	1455	485	1285	1485	450/490/535
MSS 5000/1/2	5024	1840	1600	2960	2400	2200	1590	600	1400	1600	580/630/680

Dimensions given in millimetres