

# MSS 6000-10000 System Buffer Tank

## Vessels for Central Heating Systems



The Advenco MSS range of carbon steel primary system vessels has been carefully designed to serve as a diverse solution to all heating applications that require an inertia tank or energy storage vessel.

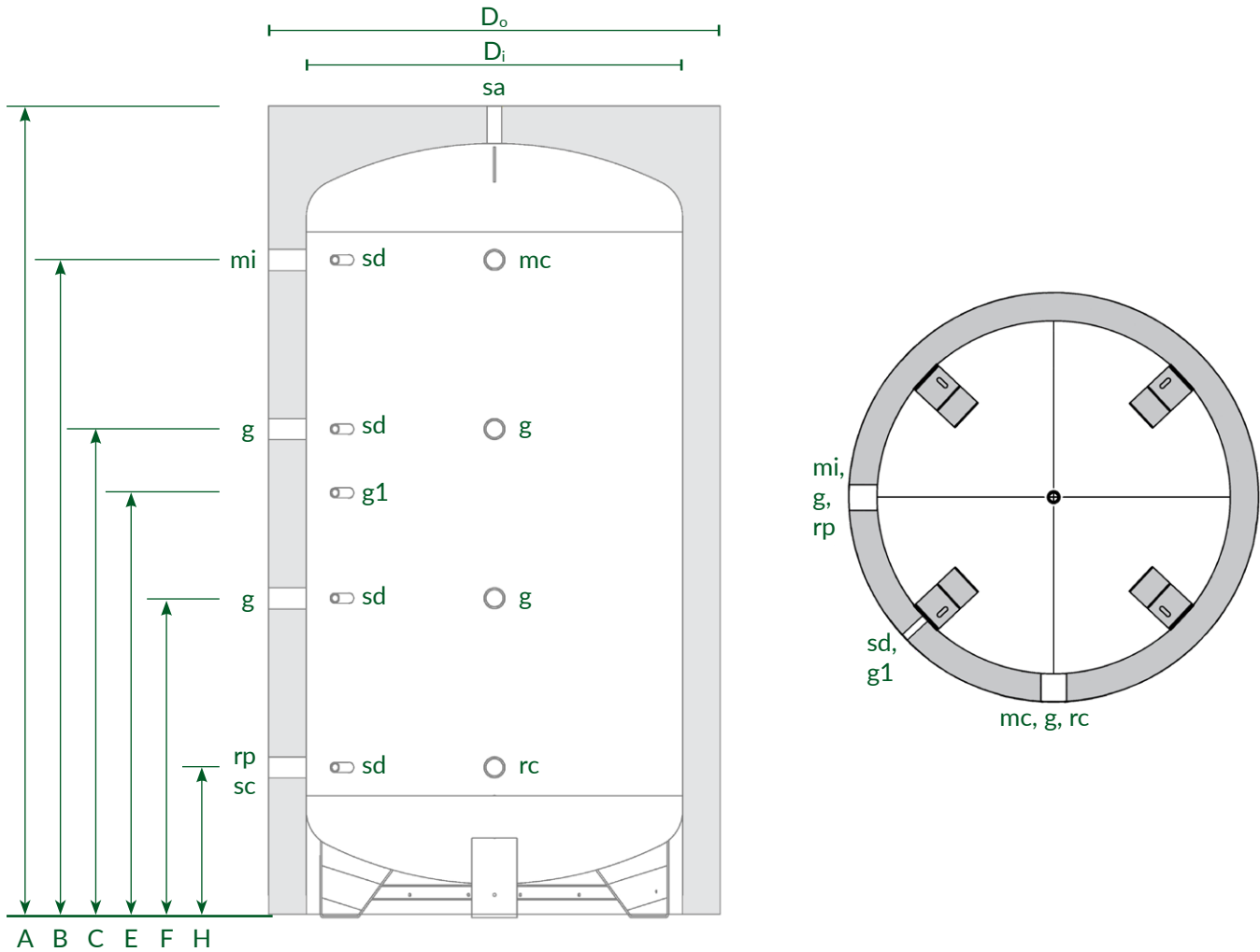
The units come as standard with high- and low-level flow and return connections at 90° to one another to allow corner installations, and have additional connections in the middle to cater for systems featuring multiple heat sources, low and high grade heat sources, or varying return temperatures. Almost any heating application can be served by the Advenco MSS range, but for those that require special features, a bespoke tank can be designed on request.

The MSS range extends to buffer vessels with capacities of 6000 to 10000 litres. The full range is suitable for use with working pressures up to 5 bar and temperatures up to 95°C

### STANDARD FEATURES

- Vertical orientation
- Working pressure 5 bar
- 120 mm insulation for improved energy efficiency, of which 100 mm is removable for ease of installation.
- Ancillaries available, including:
  - Control and overheat thermostats
  - Automatic air vents and gauges





**Connections:**

Port	Purpose	MSS 6000	MSS 8000	MSS 10000
mc	Flow from heat source	3.00	3.00	3.00
rc	Return to heat source	3.00	3.00	3.00
mi	Flow to system	3.00	3.00	3.00
rp, sc	Return from system and drain outlet	3.00	3.00	3.00
ri	Extra return from system	3.00	3.00	3.00
sa	Automatic air vent	1.00	1.00	1.00
sd	Sensors	0.50	0.50	0.50
g	Extra flow and return connections	3.00	3.00	3.00
g1	Extra flow and return connection	1.25	1.25	1.25

Connection sizes given in inches  
 \* Please note that when insulation jackets are removed for the purposes of manoeuvring vessel diameters will be  $D_i + 40$  mm due to a non-removable insulation under-layer.

**Dimensions:**

Model	Litres	Do	Di	A	B	C	E	F	H	Dry mass (kg)
MSS 6000	5854	2040	1800	2790	2195	1675	1415	1155	635	620
MSS 8000	7636	2040	1800	3490	2905	2145	1615	1385	625	755
MSS 10000	9544	2040	1800	4240	3655	2645	2365	1635	625	895

Dimensions given in millimetres