

# CWT 500-5000 Chilled Water Tanks

## Vessels for Chilled Water Systems



The Adveco CWT range of chilled water tanks are designed for use with cooling and conditioning systems, serving to expand the total system volume and increase thermal inertia.

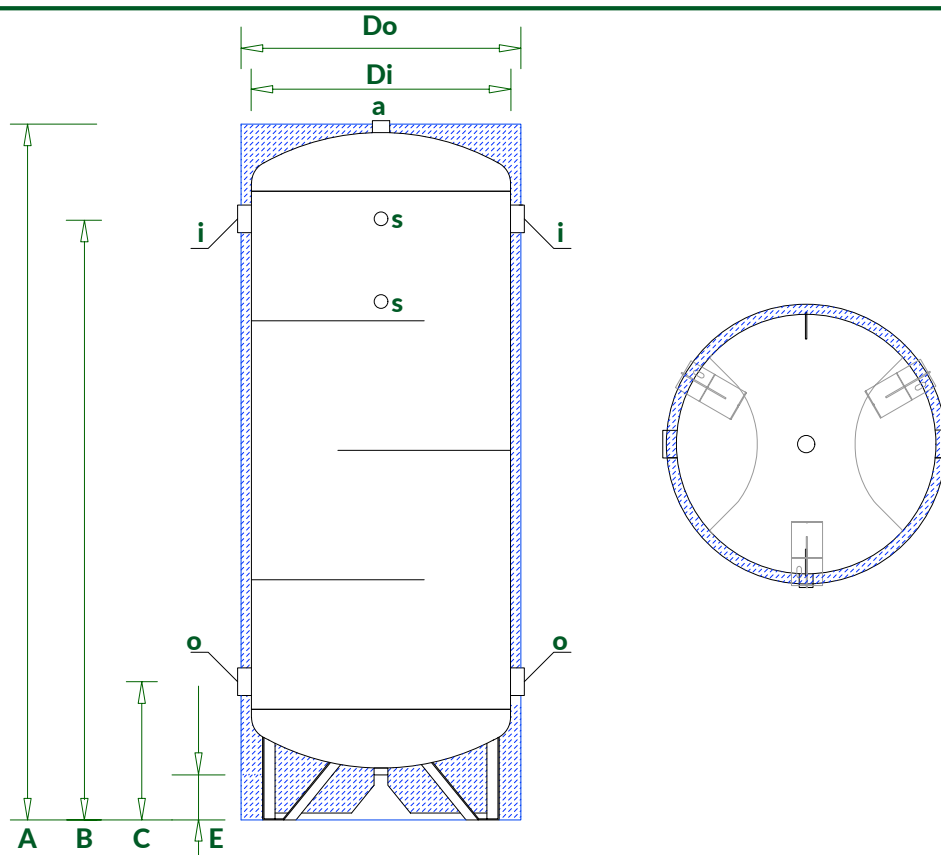
Increasing the water capacity of a chiller system can drastically improve performance by ensuring better temperature control, increasing chiller longevity, reducing condenser cycling and improving system start-up times.

The Adveco CWT is a versatile range of carbon steel chilled water vessels, featuring high and low level tank connections that are suitable for moderate to high flow rates. All tanks feature three internal partitions to aid in stratification and preventing preferential flows.

### STANDARD FEATURES

- Maximum working pressure 6 bar
- Working temperature range -10 to +60 C
- Vessel insulation:
  - 500-1000 litre vessels feature external painting with 30mm flexible polyurethane insulation
  - 1500-5000 litre vessels feature 10mm closed cell elastomeric foam to prevent condensation, plus a 40mm flexible polyurethane jacket to provide thermal insulation.
- Available ancillaries including control and OH stats, AAV's and gauges.





Connections:		CWT	CWT	CWT	CWT	CWT	CWT	CWT	CWT	CWT
Model	units	500	800	1000	1500	2000	2500	3000	4000	5000
i (inlet)	inch	3	3	3	3	3	4	4	4	4
o (outlet)	inch	3	3	3	3	3	4	4	4	4
s (sensor pockets)	inch	½	½	½	½	½	½	½	½	½
a (air vent)	inch	2	2	2	2	2	2	2	2	2
n (drain)	inch	2	2	2	2	2	2	2	2	2

Dimensions:		CWT	CWT	CWT	CWT	CWT	CWT	CWT	CWT	CWT
Model	units	500	800	1000	1500	2000	2500	3000	4000	5000
Volume	litres	500	800	1000	1500	2000	2500	3000	4000	5000
Do	mm	720	860	920	1120	1220	1320	1370	1520	1720
Di	mm	660	800	860	1020	1120	1220	1270	1420	1620
A	mm	1710	1741	2026	2163	2483	2563	2778	2848	2888
B	mm	1435	1445	1710	1800	2105	2155	2365	2390	2400
C	mm	385	395	410	500	505	555	565	590	600
E	mm	135	125	120	165	155	175	180	160	140