

Advenco GLE 200–2000

Glass Lined Buffer Vessels and Electric Water Heaters



The Advenco GLE range of glass lined steel storage tanks is designed to serve as buffer vessels or electric water heaters for vented or unvented domestic hot water applications.

The GLE range includes hot water tanks from 200 to 2000 litres, featuring a high quality carbon steel construction with a blue enamel protective lining. Each vessel is supplied as standard with a clean-out inspection flange, a sacrificial magnesium anode for corrosion protection, and a pre-fitted insulation jacket.

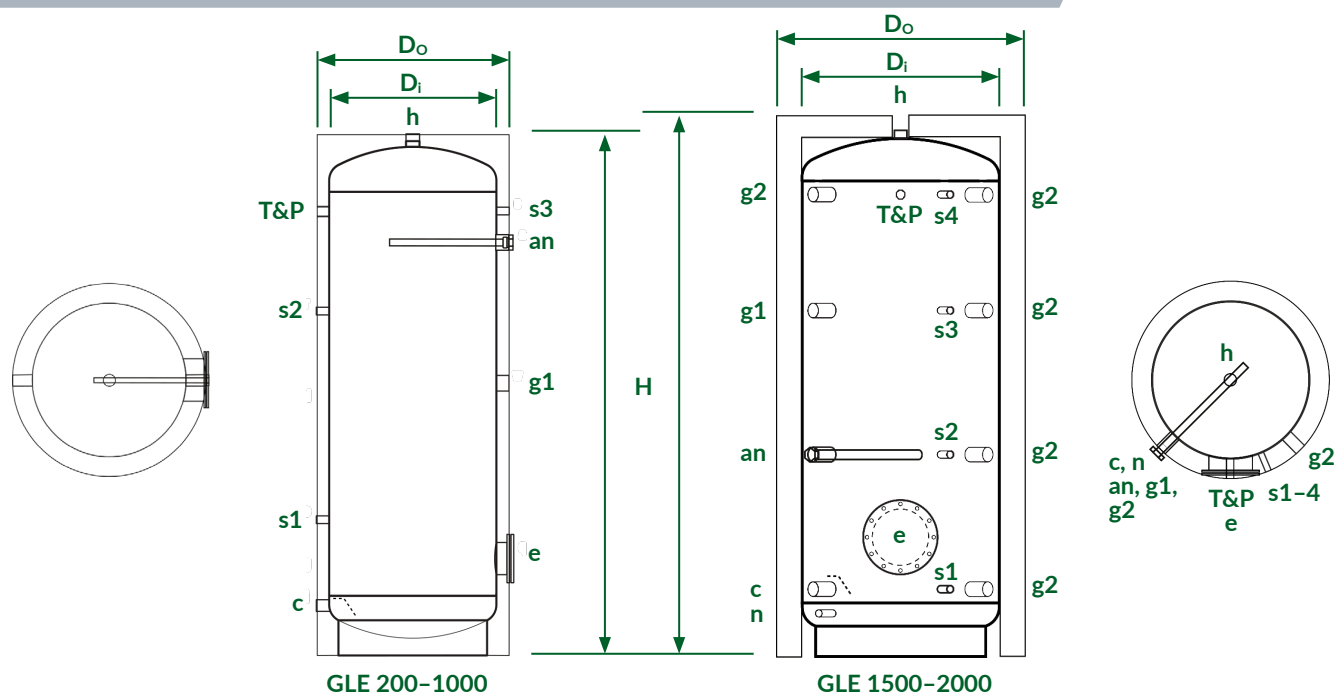
The GLE is additionally compatible with a wide range of direct electric immersion heater options on request. The GLE range is suitable for use in systems with a maximum working pressure up to 8 bar and temperatures up to 85°C.

FEATURES

- Available with 200–2000 litre capacities
- Produced from high quality steel with blue enamel lining
- Rigid high density polyurethane foam insulation (200–500L) or removeable polyester fibre jacket insulation (750–2000L)
- Suitable for vented or unvented installations
- Includes magnesium sacrificial anodes as standard
- 8 bar / 85°C max. working temperature and pressure

OPTIONS & ANCILLARIES

- Electric immersion heaters
- Temperature and pressure gauges
- Control and overheat thermostats
- Destratification pumps
- Unvented kits


GLE 200-1000
GLE 1500-2000

Model GLE	200	300	500	750	1000	1500	2000
Storage volume (L)	190	290	500	750	932	1478	1959
Standing losses (W) / Energy efficiency class	56.7 / B	68.2 / B	80.6 / B	125.9 / C	137.9 / C	169.2 / C	182.7 / C
Maximum working pressure tank (bar)	8	8	8	8	8	8	8
Weight (kg)	22	68	90	146	171	283	399

Connections

Label	Description	200	300	500	750	1000	1500	2000
c	Cold water inlet	1"	1"	1"	1½"	1½"	2"	2"
h	Hot water outlet	1¼"	1¼"	1¼"	1½"	1½"	2"	2"
g1	Additional connection	1½"	1½"	1½"	1½"	1½"	1½"	1½"
g2	Additional connections	--	--	--	--	--	1¼" (5x)	1¼" (5x)
T&P	T&P relief valve connection	¾"	¾"	¾"	¾"	¾"	¾"	¾"
an	Anode connection(s)	1¼"	1¼"	1¼"	1¼"	1¼"	1¼"	1¼"
s1, s2, s3, s4	Sensor pockets	½"	½"	½"	½"	½"	½"	½"
e	Inspection flange (mm)	Ø180/120	Ø180/120	Ø180/120	Ø180/120	Ø180/120	Ø380/300	Ø430/350
n	Drain	--	--	--	--	--	1"	1"
Compatible immersion heater installation positions Contact Adveco for options		e, g1	e, g1	e, g1	e, g1	e, g1	e, g1	e, g1

All threaded connections are BSPP female unless otherwise stated. All dimensions in mm.

Dimensions

Label	Description	200	300	500	750	1000	1500	2000
H	Height	1320	1610	1660	1765	2100	2060	2350
D _o	Outer diameter with insulation	550	600	750	1050	1050	1200	1300
D _i	Inner diameter without insulation	--	--	--	790	790	1000	1100
g1	Additional connection	725	845	915	962	1125	1400	1435
T&P	T&P relief valve connection	1095	1365	1390	1447	1785	1725	1945
an	Anode	980	1250	1260	1272	1475	1400	1435
e	Inspection flange	262	300	330	382	380	520	575
s1	Sensor pocket	370	410	415	447	465	330	410
s2	Sensor pocket	915	1050	1125	1207	1435	765	930
s3	Sensor pocket	1095	1365	1390	1447	1785	1400	1435
s4	Sensor pocket	--	--	--	--	--	1725	1945