

## ADVECO GL RANGE

HOT WATER CYLINDERS

[www.adveco.co](http://www.adveco.co)



1971 - 2021



# ADVECO GL Range

## GLC GLE GLT Hot Water Cylinders

The Adveco GL family of hot water cylinders for commercial vented and unvented hot water (DHW) applications.

Available in three ranges - GLC, GLE and GLT - and offering a wide range of sizes and configurations, GL addresses the bespoke needs of commercial hot water projects including direct electric heating, buffer storage, indirect heating & preheat.



We can help you achieve  
**NET ZERO**  
by  
**2050**



**50**  
YEAR HISTORY

**CONTINUED GROWTH**  
RETURNED  
BY 10 YEARS



**IN HOUSE TRAINING FACILITIES**



## The GL family of high-quality hot water cylinders

**GLC 200-3000** - a range of calorifiers designed to serve as indirect water heaters or preheat vessels

**GLE 200-5000** - a range of storage tanks designed to serve as buffer vessels or electric water heaters

**GLT 200-3000** - a range of twin-coil calorifiers is designed to serve as indirect water heaters

### FEATURES

- Tank working temperatures up to 85°C
- Tank maximum working pressure up to 10 bar
- Tough carbon steel shell
- High-quality corrosion-resistant enamelled inorganic blue glass lining (200-1000L) or blue epoxy powder coat enamel lining (1500-5000L)
- Magnesium sacrificial anode and temperature gauge included as standard
- Tough PVC jacket enclosing rigid high-density polyurethane foam or removeable polyester fibre insulation.
- WRAS and Kiwa's KUKreg4 certification of product compliance with the water supply (water fittings) regulations for England, Scotland, and NI.

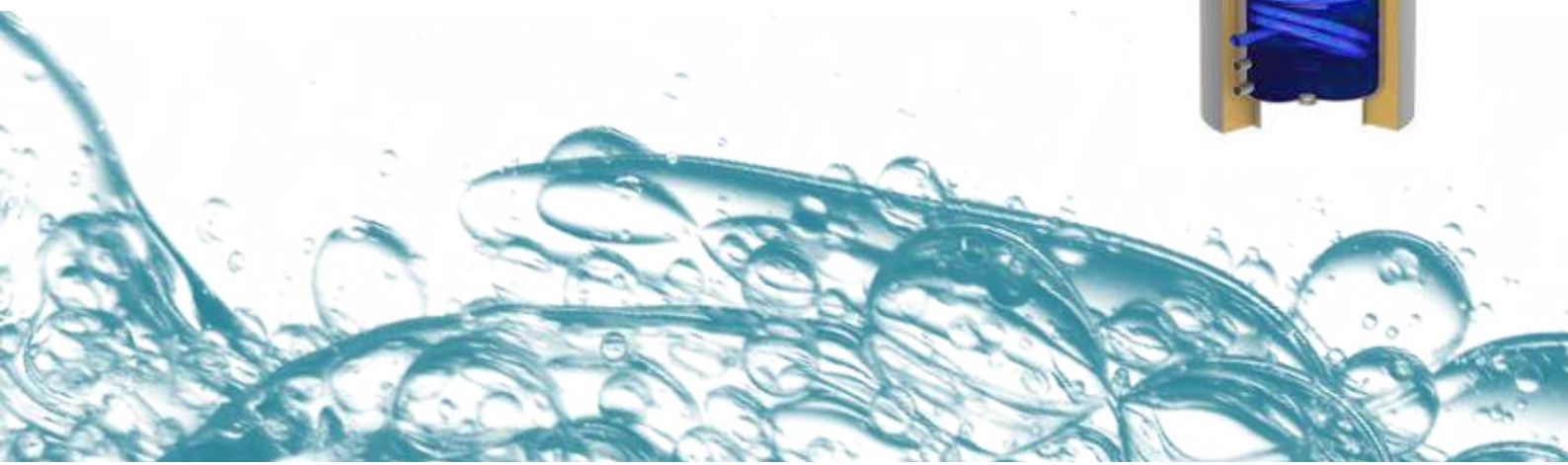


[www.adveco.co](http://www.adveco.co)

# GLC 200-3000 Calorifiers

With a single fixed indirect heating coil, the Adveco GLC range of calorifiers is designed to serve as indirect water heaters or preheat vessels for vented and unvented domestic hot water applications.

Available in 200 to 3000 litres capacities, the Adveco GLC features a single fixed indirect heating coil at low level and can also accept a 180mm 3-36kW electric immersion. The coil has a maximum working pressure/temperature of 12 bar / 110°C.



## Features

- Available with 200 - 3000 litre capacities
- Single fixed primary heating coil
- Produced from high quality steel with blue glass lining (200-1000L) or blue enamel lining (1500-3000L)
- Rigid high density polyurethane foam insulation (200-1000L) or removeable polyester fibre jacket (1500-3000L)
- WRAS approved (200-1000L) and Kiwa KUKreg4 approved (200-3000L) product range
- Suitable for vented or unvented installation
- Includes magnesium sacrificial anode and temperature gauge as standard
- 6-10 bar / 85°C max. working pressure/temp (tank)
- 12 bar / 110°C max. working pressure/temp (coils)

## Options and Ancillaries

- Electric Immersion Heaters from 3-36 kW
- E0008: Control Thermostat
- E0009: Overheat thermostat
- MB0001: Destratification pump kit
- Unvented Kits: Contact Adveco for options and details
- Cleanout flange to immersion heater or anode adaptor plates

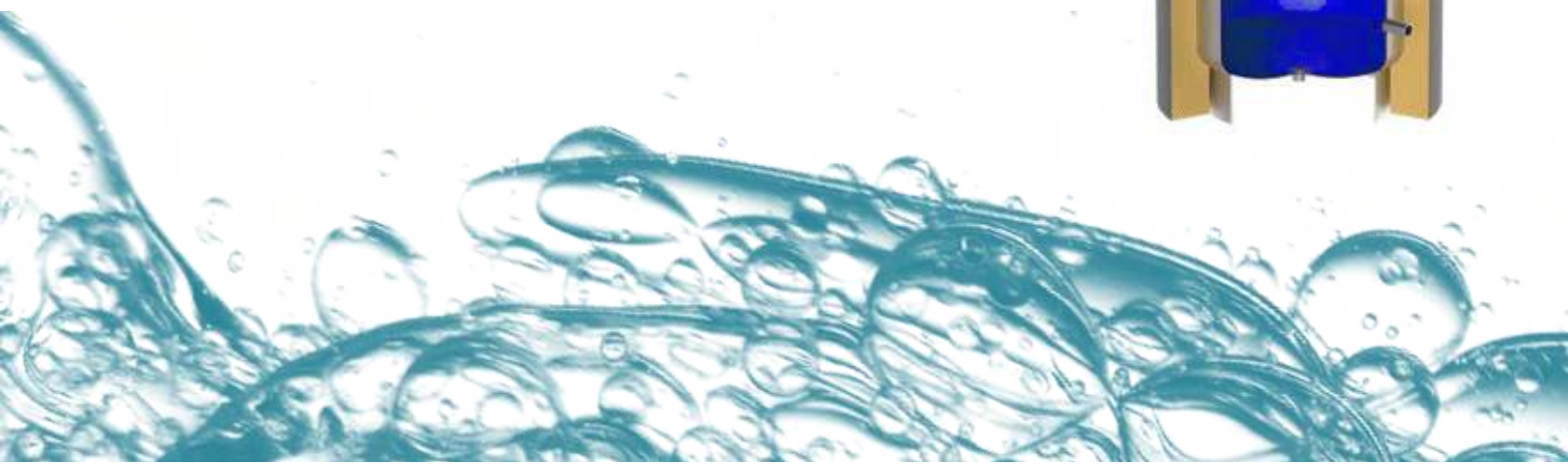


[www.adveco.co](http://www.adveco.co)

# GLE 200-5000 Buffer Vessels & Electric Water heaters

Available in a range of sizes from 200 to 5000L, the Adveco GLE is designed to serve as buffer vessel or electric water heater for vented or unvented domestic hot water applications.

Compatible with a wide range of direct electric immersion heater options available from Adveco, the GLE supports duty immersions from 3 to 36 kW, as well as secondary supplementary immersions from 3 to 6 kW for additional heating, or as backup to ensure continuity of service from a single unit.



## Features

- Available with 200 - 5000 litre capacities
- Produced from high quality steel with blue glass lining
- Rigid high density polyurethane foam insulation
- WRAS and Kiwa KUKreg4 approved (200-5000L) product range
- Suitable for vented or unvented installation
- Includes magnesium sacrificial anode and temperature gauge as standard
- 10 bar / 85°C max. working pressure and temperature

## Options and Ancillaries

- Electric Immersion Heaters from 3-36 kW
- E0008/0-95: Control Thermostat
- E00011: Overheat thermostat
- MB0001: Destratification pump kit
- Unvented Kits: Contact Adveco for options and details
- Cleanout flange to 1.5" adaptor plate: M0221 (200-500L) or M0312 (750-5000L)

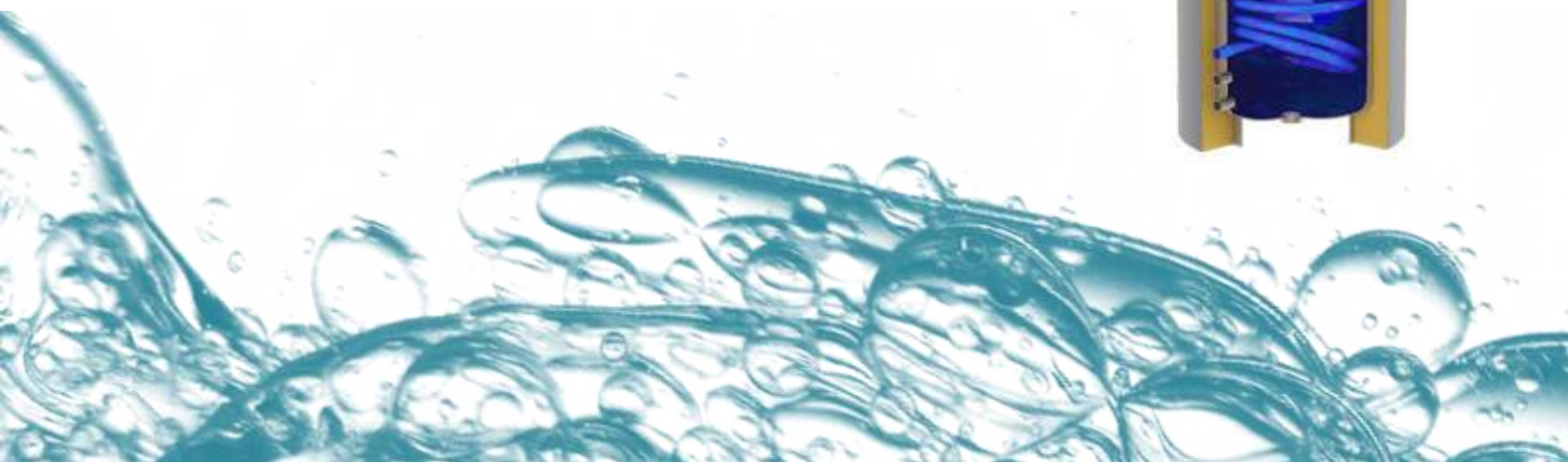


[www.adveco.co](http://www.adveco.co)

# GLT 200-3000 Twin-Coil Calorifiers

The Adveco GLT range of twin-coil calorifiers is designed to serve as indirect water heaters for vented and unvented domestic hot water applications.

The tanks, available in 200 to 3000 litres capacities incorporate two fixed indirect heating coils, one each at low and high level, designed for use with two separate heat sources.





## Features

- Available with 200 - 3000 litre capacities
- Two internal fixed primary heating coils
- Produced from high quality steel with blue glass lining (200-1000L) or blue enamel lining (1500-3000L)
- Rigid high density polyurethane foam insulation (200-1000L) or removeable polyester fibre jacket (1500-3000L)
- WRAS approved (200-1000L) and Kiwa KUKreg4 approved (200-3000L) product range
- Suitable for vented or unvented installation
- Includes magnesium sacrificial anode and temperature gauge asstandard
- 6-10 bar / 85°C max. working pressure/temp (tank)
- 12 bar / 110°C max. working pressure/temp (coils)

## Options and Ancillaries

- Electric Immersion Heaters from 3-36 kW (200-500L) or 3-6kW (750-1000L)
- E0008/0-95: Control Thermostat
- E00011: Overheat thermostat
- MB0001: Destratification pump kit
- Unvented Kits: Contact Adveco for options and details
- Cleanout flange to immersion heater or anode adaptor plates



[www.adveco.co](http://www.adveco.co)

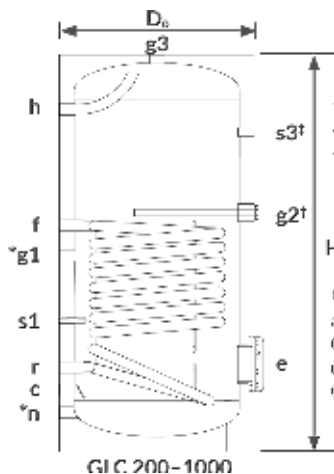
# GLC Specifications, Connections & Dimensions

Model GLC		200	300	500	750	1000	1500	2000	3000
Storage volume (L)		197	265	447	695	1053	1460	2065	2966
Standing losses (W) / Energy efficiency class		60 / B	65 / B	98 / C	106 / C	131 / C	151 / C	192 / C	303 / –
Maximum working pressure tank / coils (bar)		10 / 12	10 / 12	10 / 12	10 / 12	10 / 12	6 / 12	6 / 12	6 / 12
Coil surface area (m <sup>2</sup> )		1.4	1.4	2.0	2.4	2.7	3.7	4.3	5.2
Output capacity (kW) (80/60:10/60)		35	35	51	60	68	93	107	130
Nominal primary flow rate (m <sup>3</sup> /h)		3	3	3	3	3	4	4	4
Nominal coil pressure drop (mbar)		130	130	186	224	252	590	685	829
Continuous DHW flow rate (L/h) (80/60:10/60)		600	600	875	1029	1166	1595	1836	2230
Peak draw off capacity (L) (80/60:10/60)	30 min.	408	462	722	985	1329	1833	2417	3302
	60 min.	712	766	1165	1506	1920	2641	3347	4432
	120 min.	1309	1363	2035	2529	3079	4226	5172	6648
Dry mass (kg)		84	122	195	260	330	255	325	411
<b>Dimensions</b>									...
Label	Description	200	300	500	750	1000	1500	2000	3000
H	Height	1100	1615	1950	2050	1920	2280	2600	2870
D <sub>s</sub>	Outer diameter with insulation	670	670	750	855	1055	1250	1350	1450
D <sub>i</sub>	Inner diameter without insulation	–	–	–	–	–	1000	1100	1250
f	Flow from primary coil	790	750	970	1045	997	1215	1325	1540
g1	Additional connection	680	650	1320	925	880	785	815	875
g2	Additional connection	540	605	1030	1110	1045	1310	1495	1625
g3	Additional connection	1100	1615	1950	2050	1920	1630	1965	2120
s1	Sensor pocket	445	485	530	575	587	1080	1165	1375
s2, s3	Sensor pocket	795	1295	1570	1725	1577	1830	2150	2410

## Connections

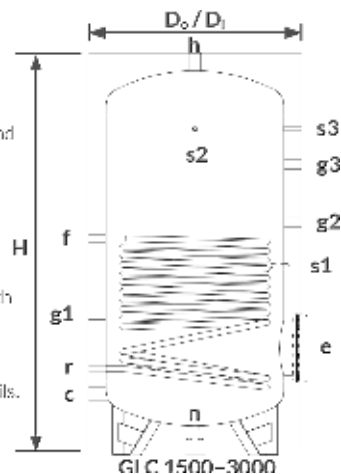
Label	Description	200	300	500	750	1000	1500	2000	3000
c, h	Water inlet and outlet	1"	1"	1"	1½"	1½"	2"	2"	3"
g1	Additional connection	¾"	¾"	¾"	1¼"	1¼"	1½"	1½"	1½"
g2	Additional connection	1½"	1½"	1½"	1½"	1½"	1½"	1½"	1½"
g3	Additional connection	1¼"	1¼"	1¼"	2"	2"	1½"	1½"	1½"
f, r	Heat exchanger flow and return	1"	1"	1"	1"	1"	1"	1"	1"
s1, s2, s3	Sensor pocket	¾"	¾"	¾"	¾"	¾"	¾"	¾"	¾"
e	Clean-out / additional flange (mm)	Ø180/120	Ø180/120	Ø180/120	Ø280/205	Ø280/205	Ø380/300	Ø380/300	Ø380/300
n	Drain	1"	—	—	—	—	1½"	1½"	1½"
Compatible ancillary item installation positions *contact Adveco for options	T&P safety valve	g1, g3	g3	g3	g3	g3	g3	g3	g3
	Sacrificial anode	g3, g2, e*	g2, e*	g2, e*	g2, e*	g2, e*	g2, e*	g2, e*	g2, e*
	Immersion heater	e, g2*	e, g2*	e, g2*	e, g2*	e, g2*	e*, g2*	e*, g2*	e*, g2*

All threaded connections are BSPP female unless otherwise stated. All dimensions in mm.



\*supplied as standard with a 3/8" dry pocket and temperature gauge

\*supplied as standard with anode. Can be relocated to 'e' using ancillary flange. Contact Adveco for details.



\*connection position varies by model. Please consult dimensions below.

[www.adveco.co](http://www.adveco.co)

# GLE Specifications, Connections & Dimensions

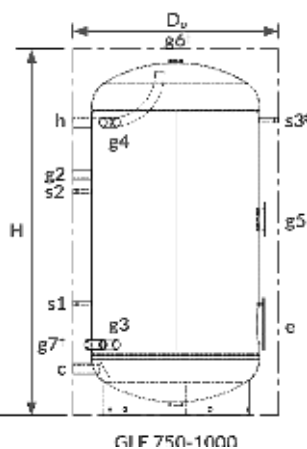
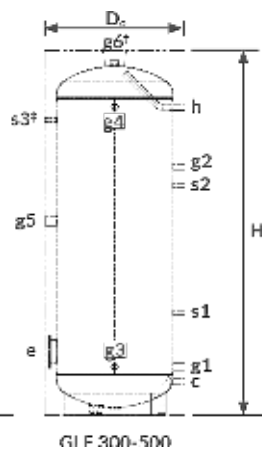
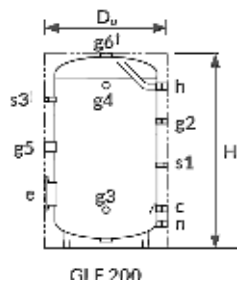
Model GLE	200	300	500	750	1000
Storage volume (L)	210	278	464	705	1019
Standing losses (W) / Energy efficiency class	60 / B	65 / B	98 / C	106 / C	131 / C
Maximum working pressure tank (bar)	10	10	10	10	10
Dry mass (kg)	91	100	134	260	296

Dimensions						
Label	Description	200	300	500	750	1000
H	Height	1100	1600	1950	2050	1960
D <sub>o</sub>	Outer diameter with insulation	670	670	750	860	1055
g1	Additional connection	--	--	259	--	--
g2	Additional connection	680	972	1229	1435	1287
g3	Additional connection	210	267	259	325	377
g4	Additional connection	865	1267	1649	1715	1567
g5	Additional connection	540	840	1039	1080	1047
g6	Additional connection / anode	1100	1600	1950	2050	1960
g7	Additional connection / anode	--	--	--	325	377
s1	Sensor pocket	445	492	549	615	597
s2	Sensor pocket	--	872	1029	1295	1197
s3	Sensor pocket	795	1207	1579	1725	1577

### Connections:

Label	Description	200	300	500	750	1000
c, h	Water inlet and outlet	1"	1"	1"	1½"	1½"
g1	Additional connection	–	–	1"	–	–
g2	Additional connection	¾"	¾"	1"	1½"	1½"
g3	Additional connection	1"	1"	1"	1½"	1½"
g4	Additional connection	1"	1"	1"	1½"	1½"
g5	Additional connection / immersion	1½"	1½"	1½"	Ø180/115	Ø180/115
g6	Anode connection	1½"	1½"	1½"	2"	2"
g7	Anode connection	–	–	–	1½"	1½"
s1, s2, s3, s4	Sensor pocket	½"	½"	½"	½"	½"
e	Clean-out / additional flange (mm)	Ø180/115	Ø180/120	Ø180/120	Ø280/205	Ø280/205
n	Drain	1"	–	–	–	–

\*supplied as standard with anode  
 \*supplied as standard with a 300°  
 dry pocket and temperature gauge



# GLT Specifications, Connections & Dimensions

Model GLT	200	300	500	750	1000	1500	2000	3000	
Storage volume (L)	197	265	447	695	1053	1460	2065	2966	
Standing losses (W) / Energy efficiency class	60/B	65/B	98/C	106/C	131/C	150/C	191/C	303/-	
Maximum working pressure tank / coil (bar)	10/12	10/12	10/12	10/12	10/12	6/12	6/12	6/12	
Coil surface area lower / upper (m <sup>2</sup> )	1.0/0.7	1.4/1.1	2.0/1.1	2.4/1.2	2.7/1.5	3.7/2.3	4.3/3.0	5.2/3.8	
Coil output capacity lower / upper (kW) (80/60;10/60)	25/17	35/28	51/28	60/30	68/38	93/57	107/75	130/95	
Nominal primary flow rate lower / upper (m <sup>3</sup> /h)	3/3	3/3	3/3	3/3	3/3	4/3	4/4	4/4	
Nominal coil pressure drop lower / upper (mbar)	93/65	130/102	186/102	224/112	252/140	590/214	685/485	829/615	
Continuous DHW flow rate (L/h) (80/60;10/60) lower / upper / combined coils	429/291/ 720	600/480/ 1081	875/480/ 1355	1029/514/ 1544	1166/632/ 1819	1595/978/ 2574	1836/1287/ 3123	2230/1630/ 3861	
Peak draw off capacity (L) (80/60;10/60) lower / upper / combined coils	30 min.	336/220/ 458	462/333/ 662	722/424/ 922	985/562/ 1199	1329/798/ 1600	1833/1137/ 2240	2417/1569/ 2954	3302/2162/ 3981
	60 min.	554/368/ 823	766/576/ 1210	1165/667/ 1609	1506/823/ 1981	1920/1128/ 2521	2641/1633/ 3544	3347/2221/ 4535	4432/2988/ 5937
	120 min.	980/658/ 1539	1363/1053/ 2284	2035/1144/ 2956	2529/1334/ 3516	3079/1776/ 4329	4226/2605/ 6101	5172/3499/ 7638	6648/4608/ 9773

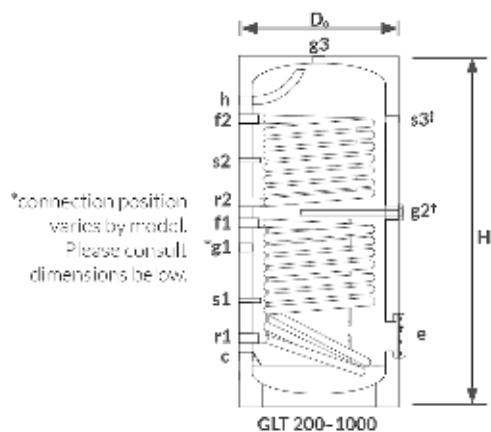
## Dimensions

Label	Description	200	300	500	750	1000	1500	2000	3000
H	Height	1130	1615	1950	2050	1960	2280	2600	2870
D <sub>o</sub>	Outer diameter with insulation	670	670	750	855	1055	1250	1350	1450
D <sub>i</sub>	Inner diameter without insulation	—	—	—	—	—	1000	1100	1250
f1	Flow from primary lower coil	580	750	970	1045	997	1215	1325	1540
f2	Flow from primary upper coil	895	1200	1439	1555	1437	1830	2150	2410
g1	Additional connection	450	650	1320	925	877	785	815	875
g2	Additional connection	630	805	1030	1110	1047	1310	1495	1625
g3	Additional connection	1130	1615	1950	2050	1960	1630	1965	2120
s1	Sensor pocket	345	435	530	575	587	1060	1165	1375
s2	Sensor pocket	780	1030	1200	1365	1247	1740	2065	2225
s3, s4	Sensor pocket	825	1295	1570	1725	1577	1830	2150	2410

## Connections

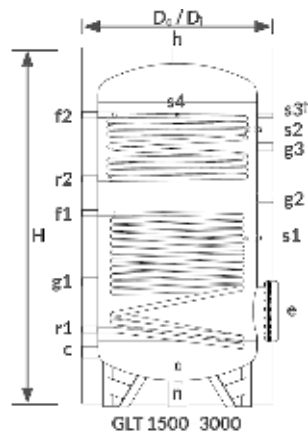
Label	Description	200	300	500	750	1000	1500	2000	3000
c, h	Water inlet and outlet	1"	1"	1"	1½"	1½"	2"	2"	3"
g1	Additional connection	¾"	¾"	¾"	1½"	1½"	1½"	1½"	1½"
g2	Additional connection	1½"	1½"	1½"	1½"	1½"	1½"	1½"	1½"
g3	Additional connection	1½"	1½"	1½"	2"	2"	1½"	1½"	1½"
f1, r1, f2, r2	Heat exchangers flow and return	1"	1"	1"	1"	1"	1"	1"	1"
s1, s2, s3, s4	Sensor pocket	¾"	¾"	¾"	¾"	¾"	¾"	¾"	¾"
e	Clean-out / additional flange (mm)	Ø180/120	Ø180/120	Ø180/120	Ø280/205	Ø280/205	Ø380/300	Ø380/300	Ø380/300
n	Drain	—	—	—	—	—	1½"	1½"	1½"
Compatible ancillary item installation positions *contact Adveco for options	T&P safety valve	g3	g3	g3	g3	g3	g3	g3	g3
	Sacrificial anode	g2, e*	g2, e*	g2, e*	g2, e*	g2, e*	g2, e*	g2, e*	g2, e*
	Immersion heater	e, g2*	e, g2*	e, g2*	e, g2*	e, g2*	e*, g2*	e*, g2*	e*, g2*

All threaded connections are BSPP female unless otherwise stated. All dimensions in mm.



\*supplied as standard with a 3/8" dry pocket and temperature gauge

\*supplied as standard with anode. Can be relocated to 'e' using ancillary flange. Contact Adveco for details.



[www.adveco.co](http://www.adveco.co)

We can help you achieve  
**NET ZERO**  
by **2050**

ADVECO GL Hot Water Cylinders SR20048:1

T 01252 551 540 E [enquiries@advenco.co](mailto:enquiries@advenco.co)

Advenco Ltd, Unit 7 & 8 Armstrong Mill, Featherwood Business Park,  
Ramborough, Hampshire GU14 2NR

[www.advenco.co](http://www.advenco.co)