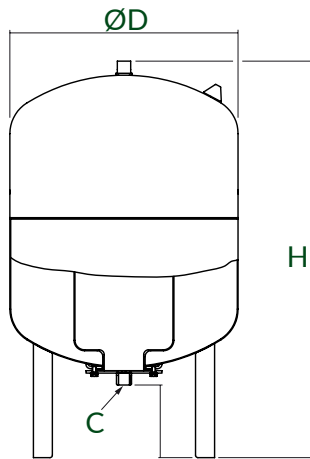


8-1000L Expansion Vessels

10 Bar Diaphragm Vessels for Potable Water Installations



The Adveco U00XX range includes expansion vessels from 8L to 1000L for use with potable water in DHW installations.

The U00XX range is constructed from carbon steel, and include replaceable synthetic rubber diaphragms that will expand to take up the increase in volume of potable water in a system upon heating. All vessels are WRAS and PED approved, and are rated to 10 bar and 70°C.

The vessel should be installed on the coldest part of a system to ensure that the temperature at the diaphragm does not exceed its limit.

Technical Specifications

Preset pressure	4 bar
Maximum working pressure	10 bar
Maximum working temperature	70°C
Suitable media	Water, ethylene, propylene glycol

Order Codes	Volume (L)	Dimensions			Installation	Manufacturer I.D.	Dry weight (kg)
		D (mm)	H (mm)	C (in)			
U0002	8	206	325	0.75	Wall Hung	Reflex PV8W	1.8
U0003	18	280	380	0.75	Wall Hung	Reflex PV18W	2.8
U0004	25	280	500	0.75	Wall Hung	Reflex PV25W	4.7
U0005	33	354	455	0.75	Wall Hung	Reflex PV33W	6.6
U0027	50	409	605	1.00	Floor Standing	Reflex PV50W	9.5
U0037	60	409	740	1.00	Floor Standing	Reflex PV60W	14.0
U0034	80	480	730	1.00	Floor Standing	Reflex PV80W	16.0
U0026	100	480	835	1.00	Floor Standing	Reflex PV100W	19.0
U0031	140	480	1015	1.00	Floor Standing	Reflex PV140W	29.0
U0030	200	634	970	1.25	Floor Standing	Reflex PV200W	40.0
U0038	300	634	1270	1.25	Floor Standing	Reflex PV300W	54.0
U0028	500	740	1475	1.25	Floor Standing	Reflex PV500W	79.0
U0048	800	740	2325	1.50	Floor Standing	Reflex PV800W	195.0
U0047	1000	740	2604	1.50	Floor Standing	Reflex PV1000W	228.0



Advenco Ltd. Unit 7&8 Armstrong Mall, Southwood Business Park, Farnborough, Hampshire GU14 0NR
T: 01252 551 540 enquiries@advenco.co www.advenco.co

PRACTICAL, EFFICIENT & SUSTAINABLE
BUILDING SERVICES SOLUTIONS