

ATST 300-1000

Stainless Steel Twin-Coil Cylinders for DHW Applications



The Adveco ATSt range of stainless steel hot water tanks serve as buffer vessels and indirect hot water calorifiers suitable for use with high pressure applications.

The ATST is a high quality indirect water heater constructed from corrosion resistant AISI 316Ti and 316L stainless steel. Each vessel features two primary fixed heating coils, at low and high level, for use with multiple heat sources, as well as several connection points and a clean-out access flange.

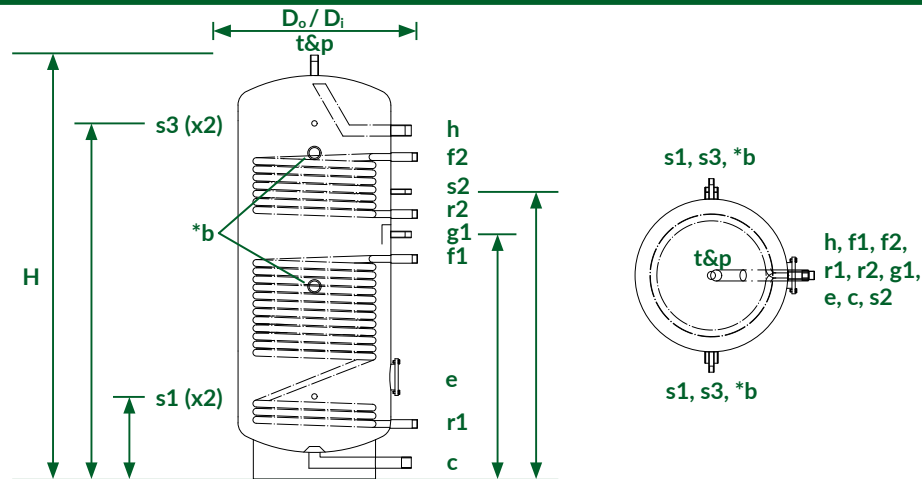
All tanks are designed, manufactured, and tested to the requirements of the Pressure Equipment Directive (97/23/EC) and EN 12897.

FEATURES

- Available with 300 - 1000 litre capacities
- Produced from high quality 316Ti and 316L stainless steel
- 100 mm removable insulation for improved energy efficiency
- Suitable for vented or unvented installation
- 10 bar / 95°C max. working pressure/temp (tank)
- 25 bar / 200°C max. working pressure/temp (coil)

OPTIONS & ANCILLARIES

- E0008/0-95C: Control Thermostat with 0-95°C range
- E0011: Overheat thermostat
- E0009.2: Chrome thermostat pocket
- Immersion heater options from 3-36 kW
- MB0001: Destratification pump kit
- Unvented Kits: Contact Adveco for options and details



Specification

Description		300	350	400	500	580	750	1000
Storage volume (l)		289	339	411	490	575	756	990
Standing losses (W) / Energy efficiency class		66 / B	71 / B	76 / B	83 / B	105 / C	120 / C	140 / C
Coil surface area (m ²)	Lower coil	1.4	1.4	1.7	1.7	1.8	2.4	2.4
	Upper coil	0.8	0.9	0.9	0.9	0.9	1.4	1.8
Output capacity (kW) (80/60:10/60)	Lower coil	29.7	29.7	36.1	36.1	38.3	51.0	59.0
	Upper coil	17.0	19.1	19.1	19.1	19.1	29.7	38.3
Nominal primary flow rate (m ³ /h)	Lower coil	1.27	1.27	1.55	1.55	1.64	2.19	2.53
	Upper coil	0.73	0.82	0.82	0.82	0.82	1.27	1.64
Nominal coil pressure drop (mbar)	Lower coil	124.7	126.0	209.3	215.2	247.2	83.7	106.6
	Upper coil	26.1	36.6	35.3	36.2	35.3	18.5	36.7
Continuous DHW flow rate (l/h) (80/60:10/60)	Lower coil	509.7	509.7	619.5	619.5	657.2	875.2	1012.4
	Upper coil	291.7	327.8	327.8	327.8	327.8	509.7	657.2
Peak draw off capacity (l) Combined coils (80/60:10/60)	30 min.	565	620	723	787	870	1182	1488
	60 min.	971	1044	1203	1266	1369	1883	2333
Dry mass (kg)	120 min.	1767	1876	2144	2208	2348	3259	3992
	Combined coils	801.4	837.4	947.2	947.2	985.0	1384.8	1669.7

Connections

Label	Description	300	350	400	500	580	750	1000
c, h	Water inlet and outlet	1"	1"	1"	1"	1 ½"	1 ½"	2"
f1, r1, f2, r2	Heat exchangers flow and return	1"	1"	1"	1"	1"	1 ¼"	1 ¼"
t&p	T&P relief valve connection	1"	1"	1"	1"	1"	1"	1"
g1	Additional connection	¾"	¾"	¾"	¾"	¾"	¾"	1"
s1 (x2), s2, s3 (x2)	Sensor pocket(s)	½"	½"	½"	½"	½"	½"	½"
e	Clean-out flange (mm)	Ø180/120	Ø180/120	Ø180/120	Ø180/120	Ø180/120	Ø180/120	Ø180/120

*b: Left and right side 2" mounting brackets included on models 300, 400, 500, 580, and 750 only.

Dimensions

Label	Description	300	350	400	500	580	750	1000
H	Height including insulation	1740	1940	1735	1990	1990	2080	2080
D _o	Outer diameter with insulation	Ø700	Ø700	Ø800	Ø800	Ø850	Ø950	Ø1050
D _i	Inner diameter without insulation	Ø500	Ø500	Ø600	Ø600	Ø650	Ø750	Ø850
g1	Additional connection	925	965	960	1100	1190	1200	975
s1	Sensor pockets	380	430	405	545	405	405	505
s2	Sensor pocket	1130	1165	1150	1320	1390	1410	1200
s3	Sensor pockets	1415	1820	1440	1695	1690	1745	1745

All threaded connections are BSPT female unless otherwise stated. Coil connections BSPT male. All dimensions in mm.