

ATSH 160-1000

Stainless Steel High Capacity Cylinders for DHW



The Adveco ATSh range of stainless steel hot water tanks serve as buffer vessels and indirect hot water calorifiers suitable for use with high pressure applications.

The ATSH is a high quality indirect water heater constructed from corrosion resistant AISI 316Ti and 316L stainless steel. Each vessel features a single internal high capacity fixed heating coil at low-level for use with a high powered heat source, as well as multiple connection points and a mid-level clean-out access flange.

All tanks are designed, manufactured, and tested to the requirements of the Pressure Equipment Directive (97/23/EC) and EN 12897.

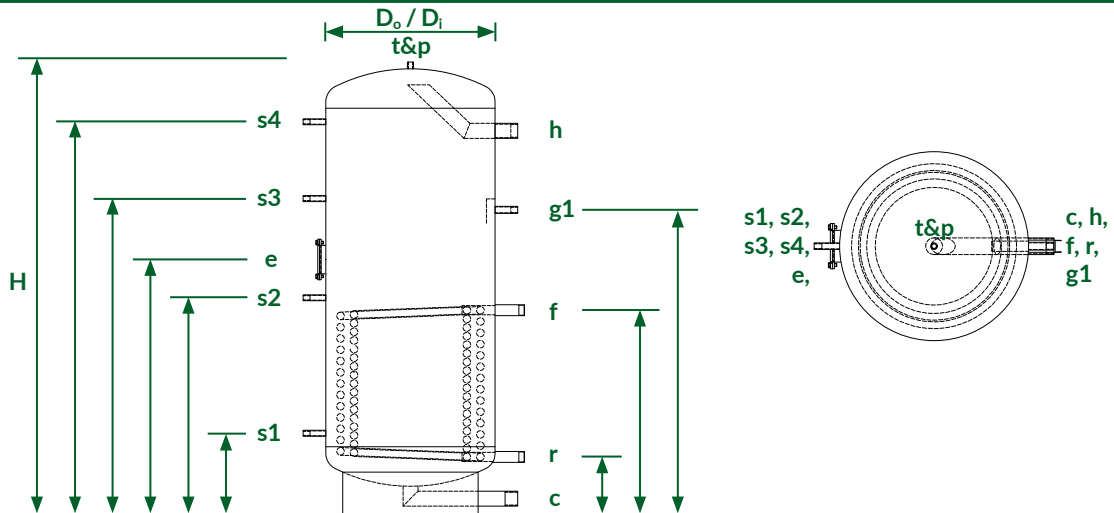
FEATURES

- Available with 160 - 1000 litre capacities
- Produced from high quality 316Ti and 316L stainless steel
- Mid-level immersion port situated above the coil is ideal for hybrid applications
- 100 mm removable insulation for improved energy efficiency
- Suitable for vented or unvented installation
- 10 bar / 95°C max. working pressure/temp (tank)
- 25 bar / 200°C max. working pressure/temp (coil)

OPTIONS & ANCILLARIES

- E0008/0-95C: Control Thermostat with 0-95°C range
- E0011: Overheat thermostat
- E0009.2: Chrome thermostat pocket
- Immersion heater options from 3-36 kW
- MB0001: Destratification pump kit
- Unvented Kits: Contact Adveco for options and details





Specifications

Description	160	200	300	400	500	750	1000	
Storage volume (l)	172	212	289	411	490	756	990	
Standing losses (W) / Energy efficiency class	50 / B	58 / B	66 / B	85 / C	98 / C	120 / C	140 / C	
Coil surface area (m ²)	1.4	1.8	2.6	3.8	4.0	5.0	7.0	
Output capacity (kW) (80/60:10/60)	29.7	38.3	55.3	80.8	85.1	106.4	148.9	
Nominal primary flow rate (m ³ /h)	1.27	1.64	2.37	3.46	3.65	4.56	6.38	
Nominal coil pressure drop (mbar)	18.2	37.1	103.4	292.5	321.4	98.1	244.4	
Continuous DHW flow rate (l/h) (80/60:10/60)	509.7	657.2	948.9	1386.5	1460.3	1825.8	2555.1	
Peak draw off capacity (l) (80/60:10/60)	30 min.	350	443	627	907	1000	1366	1857
	60 min.	608	776	1107	1609	1740	2290	3151
	120 min.	1114	1429	2050	2986	3191	4104	5689
Dry mass (kg)	66	79	96	128	139	185	208	

Connections

Label	Description	160	200	300	400	500	750	1000
c, h	Water inlet and outlet	1" inlet, ¾" outlet	1"	1"	1 ½"	1 ½"	2"	2"
f, r	Heat exchanger flow and return	1"	1"	1"	1"	1"	1 ½"	1 ½"
t&p	T&P relief valve connection	1"	1"	1"	1"	1"	1"	1"
g1	Additional connection	¾"	¾"	¾"	¾"	¾"	¾"	¾"
s1, s2, s3, s4	Sensor pocket	½"	½"	½"	½"	½"	½"	½"
e	Clean-out flange (mm)	Ø180/120	Ø180/120	Ø180/120	Ø180/120	Ø180/120	Ø180/120	Ø180/120

Dimensions

Label	Description	160	200	300	400	500	750	1000
H	Height including insulation	1240	1490	1740	1735	1985	2075	2075
D_o	Outer diameter with insulation	Ø700	Ø700	Ø700	Ø800	Ø800	Ø950	Ø1050
D_i	Inner diameter without insulation	Ø500	Ø500	Ø500	Ø600	Ø600	Ø750	Ø850
f	Flow from heat source	485	585	775	830	885	905	905
r	Return to heat source	195	195	195	215	215	255	255
g1	Additional connection	695	880	1180	1150	1400	1350	1350
s1	Sensor pocket	285	285	285	310	310	360	360
s2	Sensor pocket	530	650	815	895	950	960	960
s3	Sensor pocket	825	950	1240	1200	1490	1400	1400
s4	Sensor pocket	915	1165	1415	1440	1690	1740	1740
e	Flange centre point	675	800	975	1035	1090	1130	1130

All threaded connections are BSPT female unless otherwise stated. Coil connections BSPT male. All dimensions in mm.