

# MSS 300-5000 System Buffer Tanks

## Vessels for Central Heating Systems



The Adveco MSS range of carbon steel primary system vessels has been designed as a specialised and high quality solution to serve a diverse range of heating applications that require an inertia tank or energy storage vessel.

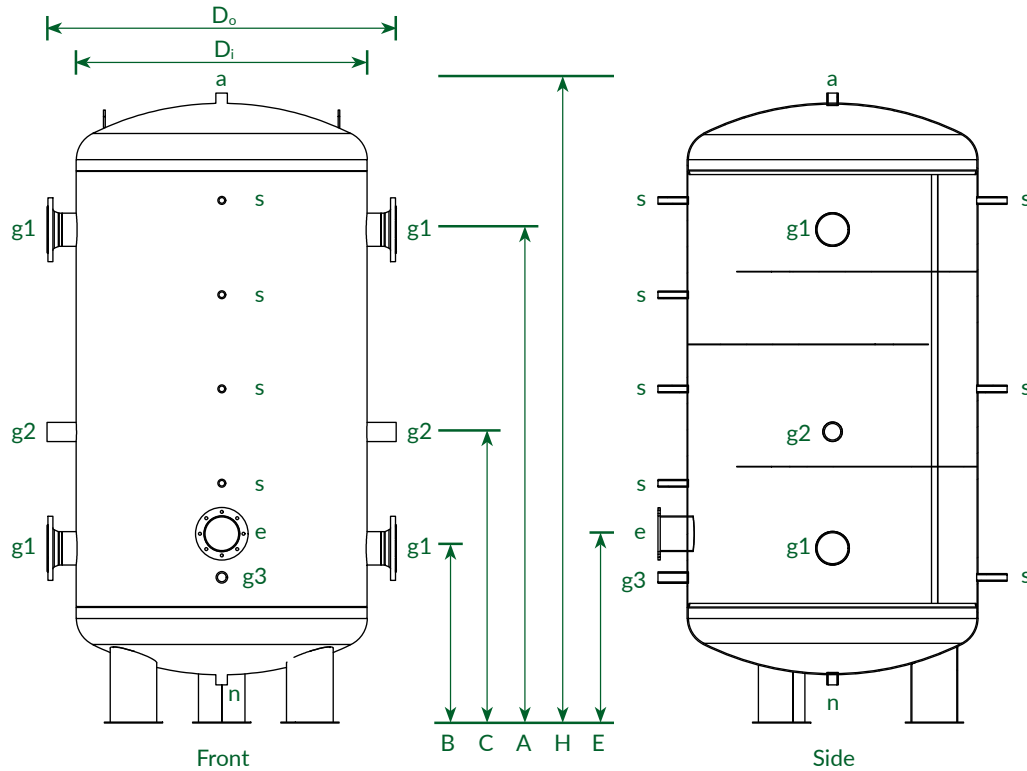
The MSS range has been designed to feature multiple large, high-capacity connections as standard at high and low level, with additional connections at mid-level to cater for a wide range of system applications. Internal baffle plates are included to increase thermal separation within the vessels while allowing installations in plantrooms with limited height, and multiple sensor pockets at all levels provide straightforward integration of controls or BMS sensors.

The MSS range is suitable for use with working pressures of up to 6 or 10 bar, and working temperatures up to 95°C.

### STANDARD FEATURES

- Vertical Orientation
- High quality carbon steel construction
- Large high, middle, and low level connections
- Increased working pressure of 10 bar available on request
- Three internal baffle plates as standard for increased stratification
- Inspection clean-out flange
- Supplied with 100mm removable insulation, packed separately
- Low maximum height for ease of installation and plantroom compatibility
- Available ancillaries include control and overheat thermostats, automatic air vents, and gauges.





Connections:		MSS 300-6	MSS 500-6	MSS 800-6	MSS 1000-6	MSS 1500-6	MSS 2000-6	MSS 2500-6	MSS 3000-6	MSS 4000-6	MSS 5000-6
Port	Purpose										
g1 (x4)	Connections	2"	2½"	2½"	DN100 PN16	DN100 PN16	DN125 PN16	DN125 PN16	DN125 PN16	DN150 PN16	DN150 PN16
g2 (x2)	Additional connections	1½"	1½"	1½"	2"	2"	2"	2"	2"	2"	2"
g3	Additional connection	1"	1"	1"	1"	1"	1"	1"	1"	1"	1"
e	Inspection flange	180mm PN16	180mm PN16	180mm PN16	180mm PN16	180mm PN16	180mm PN16	180mm PN16	180mm PN16	180mm PN16	180mm PN16
s (x7)	Sensor connections	½"	½"	½"	½"	½"	½"	½"	½"	½"	½"
a	Air vent connection	1"	1"	1"	1"	1"	2"	2"	2"	2"	2"
n	Drain connection	1"	1"	1"	1"	1"	2"	2"	2"	2"	2"

**Dimensions:**

H	Height with insulation	1987	1779	1848	2260	2230	2114	2175	2010	2065	2265
	Height without insulation	1927	1714	1793	2195	2165	2049	2110	1958	2000	2200
D <sub>o</sub>	Diameter with insulation	700	850	990	990	1200	1450	1600	1800	2100	2100
D <sub>i</sub>	Diameter without insulation	500	650	790	790	1000	1250	1400	1600	1900	1900
A	Upper connections	1620	1395	1425	1780	1695	1510	1650	1391		
B	Lower connections	420	445	475	530	600	670	550	691		
C	Middle connections	1025	895	925	930	1000	920	1085	1041		
E	Inspection flange	475	485	515	590	650	670	650	766		

**Specifications:**

Storage volume (l)	300	500	800	1000	1500	2000	2500	3000	4000	5000
Max. working temperature (°C)	95	95	95	95	95	95	95	95	95	95
Max. working pressure (bar)	6	6	6	6	6	6	6	6	6	6
Dry mass (kg)	85	112	142	192	245	351	475	543	800	

Specifications: 10 bar high pressure variant	MSS 300-10	MSS 500-10	MSS 800-10	MSS 1000-10	MSS 1500-10	MSS 2000-10	MSS 2500-10	MSS 3000-10	MSS 4000-10	MSS 5000-10
--	------------	------------	------------	-------------	-------------	-------------	-------------	-------------	-------------	-------------

All other details as above, except:

Max. working pressure (bar)	10	10	10	10	10	10	10	10	10	10
-----------------------------	----	----	----	----	----	----	----	----	----	----

Connection sizes given in inches. Dimensions given in millimetres.