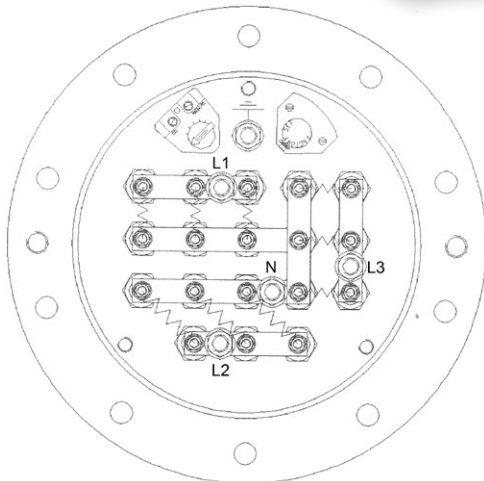


EB0021(A) 36 kW

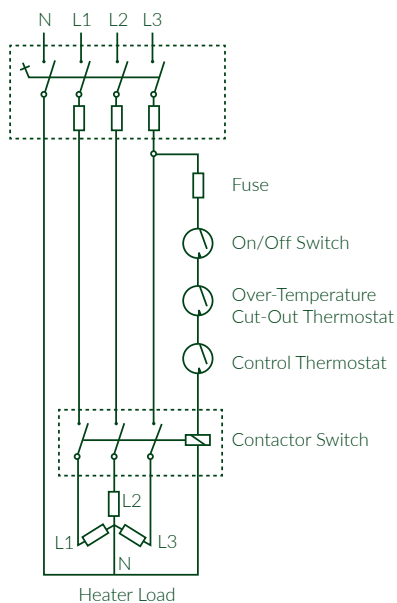
Electric Immersion Heater Kits for Indirect Cylinders



Suggested Wiring Layout:

Note that fuses, contactors, isolators, and on/off switches must be supplied separately. Terminal thermostat pockets should remain empty. Dual stat pocket provided should be installed separately, above the elements with at least 300mm separation.

This appliance must be earthed.



The design of the IT/ITS/ITE/ST and SSB/SSI/SST ranges of indirect water heaters and buffer vessels allow for the installation of supplementary immersion heaters, granting a reliable level of reserve heating capacity in the event of a primary heat source failure.

Using an electric immersion heater as a backup source of water heating is a practical alternative to installation of an entire secondary heating unit, and is both unobtrusive to existing systems and easily maintained.

Each heater connects using a supplied gasket and adapter flange to the clean-out access of a compatible hot water tank. Also included is a combined dual control and overheat temperature cut-out thermostat and pocket. The elements are suitable for working temperatures up to 90°C and working pressures of up to 10 bar.

Technical Specifications	EB0021	EB0021A
Capacity	36 kW	36 kW
Supply	415 V / 3 phase / 50 Hz	
Wiring	L1, L2, L3, N, E	
Power (three phase)	54 A/phase	54 A/phase
Heat intensity	9.1 W/cm ²	9.1 W/cm ²
Immersed length	510 mm (20")	510 mm (20")
Dual thermostat and pocket, part: E0010	Control range: 25-65°C	Overheat set: 80°C
Compatible range	ST/IT/ITE/ITS 600-1000	ST/IT/ITE/ITS 400-500 SSB/SSI/SST 500-2500
Immersion heater part no.	E0028	E0028A
Ancillaries	Integral control and over temperature thermostat via contactor	
Gasket part	E0042	E0042.1
Flange size	250 mm	180 mm

Advenco Ltd. Unit 7&8 Armstrong Mall, Southwood Business Park, Farnborough, Hampshire GU14 0NR
Company Reg : 09493966 T : 01252 551 540 E : enquiries@advenco.co I : www.advenco.co

PRACTICAL, EFFICIENT & SUSTAINABLE
BUILDING SERVICES SOLUTIONS

