
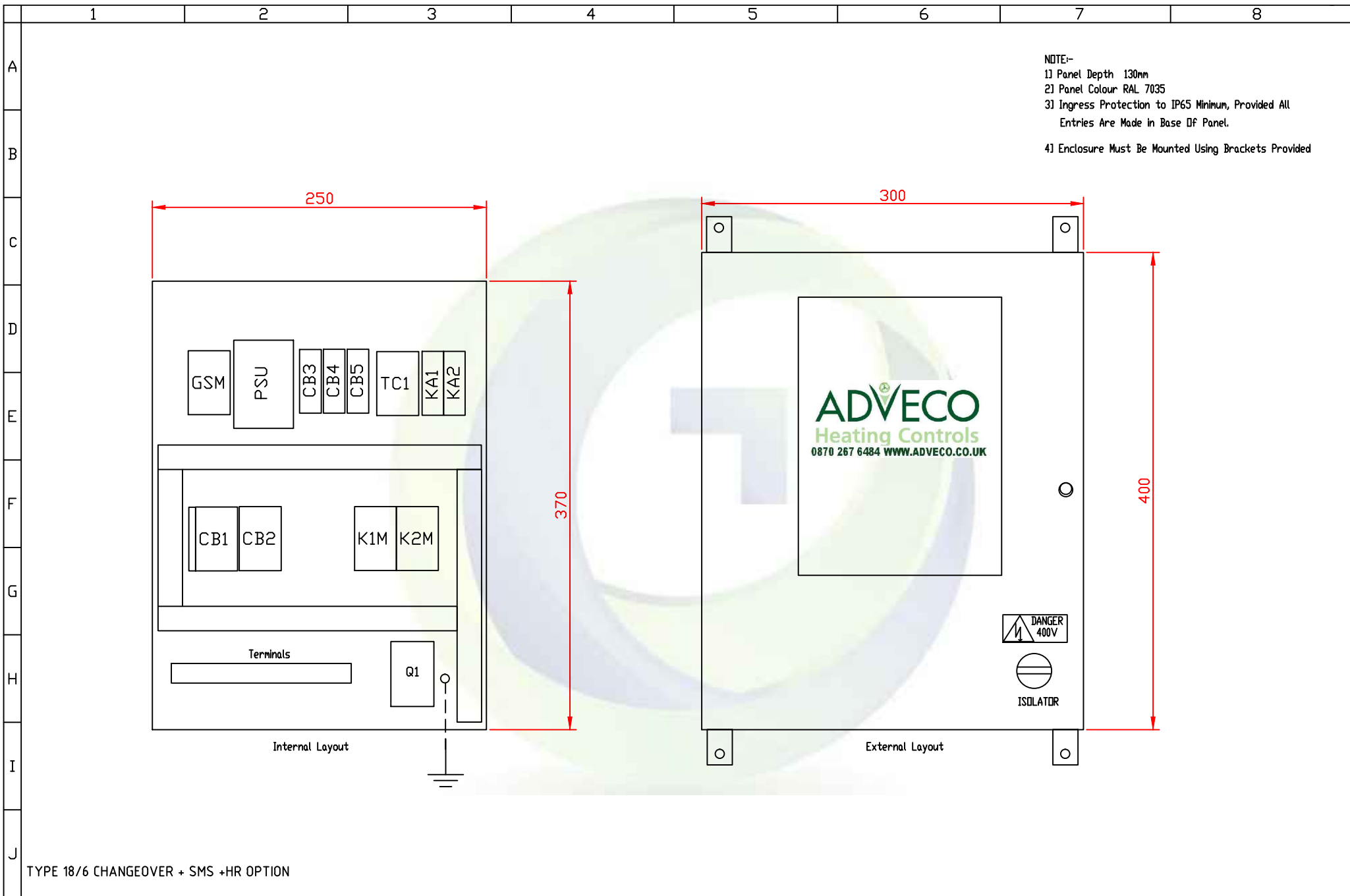


	1	2	3	4	5	6	7	8				
A	Issue	Revision	Sheet	By	Date	<u>Drawing Control Notes</u>						
	0	Original Issue Pre-Production	1-4	WW	11/03/14				Arrangement Drawing Panel/Kiosk	2		
B	1	For Approval	1-4	WW	18/03/14				Wiring Schematic	3-4		
	2	As Built	1-4	WW	24/03/14				Terminal Plan	xx		
	3	As Tested/Comissioned	1-4	WW	xxx	Labels	N/A					
C	<p style="text-align: center;">NOTES</p> <p>ALL GLANDING IS CARRIED OUT IN THE BASE OF ENCLOSURE TO MAINTAIN INGRESS PROTECTION</p> <p>INCOMING SUPPLY MUST HAVE EARTH CONDUCTOR AND BE BONDED TO EQUIPOTENTIAL STUD PROVIDED</p> <p style="text-align: center;">SMS</p> <p>ANTENNA IS INTERNAL AS STANDARD</p> <p>PANEL TO BE SITED IN AN AREA WITH GOOD SIGNAL RECEPTION ABOVE GROUND LEVEL</p> <p>BASEMENT APPLICATIONS REQUIRE REMOTE ANTENNA (OPTION)</p>					Enclosure	Std Manufacturer					
D						<p style="text-align: center;">NOTES</p> <p>ALL GLANDING IS CARRIED OUT IN THE BASE OF ENCLOSURE TO MAINTAIN INGRESS PROTECTION</p> <p>INCOMING SUPPLY MUST HAVE EARTH CONDUCTOR AND BE BONDED TO EQUIPOTENTIAL STUD PROVIDED</p> <p style="text-align: center;">SMS</p> <p>ANTENNA IS INTERNAL AS STANDARD</p> <p>PANEL TO BE SITED IN AN AREA WITH GOOD SIGNAL RECEPTION ABOVE GROUND LEVEL</p> <p>BASEMENT APPLICATIONS REQUIRE REMOTE ANTENNA (OPTION)</p>					<u>Cable Colours</u>	
E											415VAC L1	Brown
F											415VAC L2	Black
G											415VAC L3	Grey
H											415VAC N	Blue
I											EQUIP	Grn/Ylw
J											240VAC L	Brown
											240VAC N	Blue
											110VAC L	Red
	110VAC N	Blue										
	24VAC L	White										
	24VAC N	Orange										
	24VDC +	Blue										
	24VDC -	Blue										
	TYPE 18/6 CHANGEOVER + SMS +HR OPTION					<u>Miscellaneous</u>						
						Ammeters CT Circuits	White					
						4-20mA	Yellow					
						VFC	Red					
	IS	Blue										
	Telemetry	Pink										

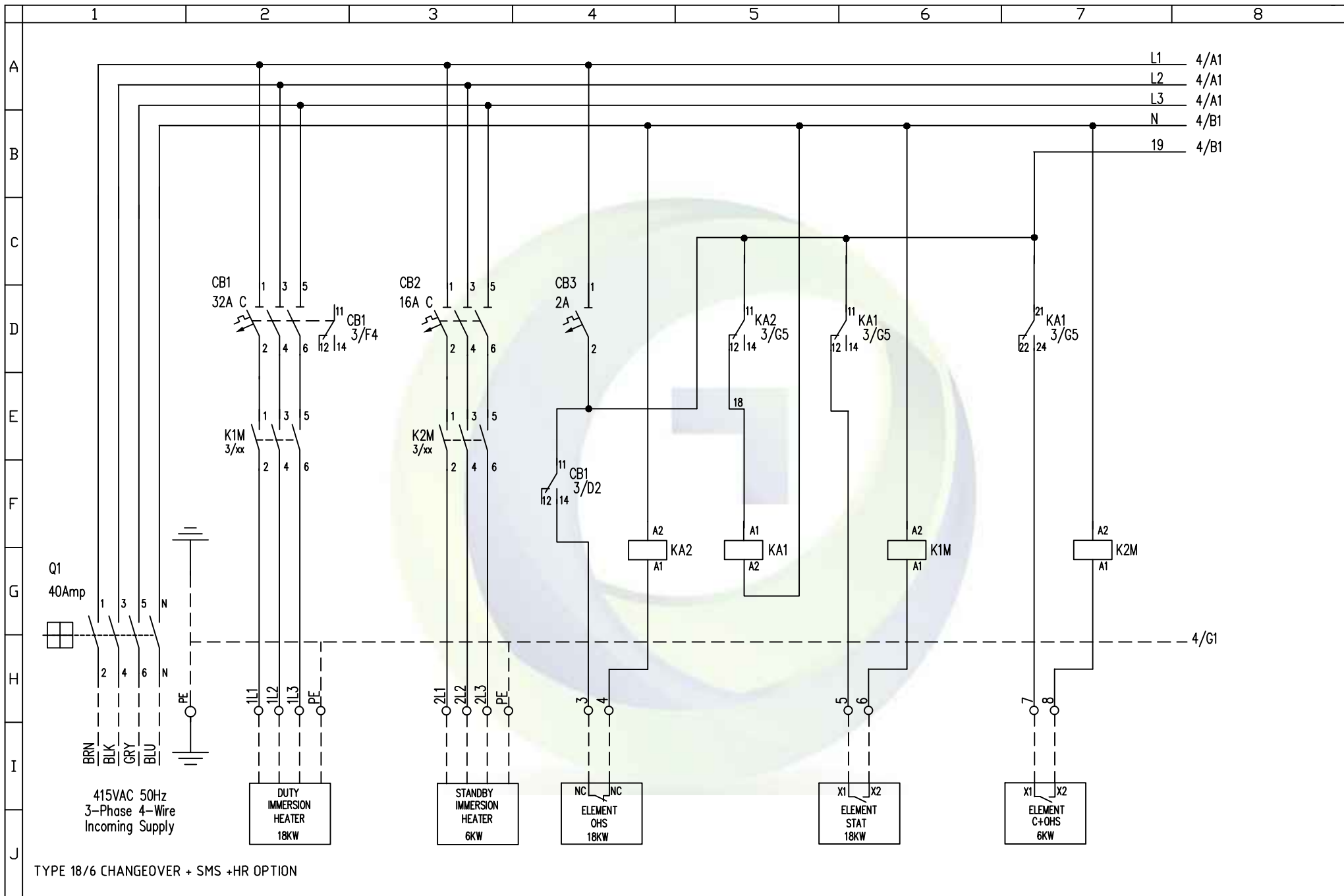
 <p>ADVECO Heating Controls 0870 267 6484 WWW.ADVECO.CO.UK</p>	Scale	[Not to Scale]	Originator	Title	Drawing Number	Sheet
	Drawn	WW	AD Smith	Heater Control Panel Type EB0028 Project Control Sheet	WEP13830	1
	Date	11/03/14				
	Checked	BS				
	Approved		Unit B8 Armstrong Mall Southwood Farnborough Hants GU14 0NR		T: 0870 267 6484	of 4



NOTE:-
 1) Panel Depth 130mm
 2) Panel Colour RAL 7035
 3) Ingress Protection to IP65 Minimum, Provided All Entries Are Made in Base Of Panel.
 4) Enclosure Must Be Mounted Using Brackets Provided

TYPE 18/6 CHANGEOVER + SMS +HR OPTION

<p>ADVECO Heating Controls 0870 267 6484 WWW.ADVECO.CO.UK</p>	Scale	[Not to Scale]	Originator	Title	Drawing Number	Sheet
	Drawn	WW	AD Smith	Heater Control Panel Type EB0028 General Arrangement	WEP13830	2
	Date	11/03/14				
	Checked	BS	Unit B8 Armstrong Mall Southwood Farnborough Hants GU14 0NR T: 0870 267 6484			of 4
	Approved					



TYPE 18/6 CHANGEOVER + SMS +HR OPTION

<p>ADVECO Heating Controls 0870 267 6484 WWW.ADVECO.CO.UK</p>	Scale	[Not to Scale]	Originator	Title	Drawing Number	Sheet
	Drawn	WW	AD Smith	Heater Control Panel Type EB0028 Wiring Schematic	WEP13830	3
	Date	11/03/14				
	Checked	BS				
	Approved		Unit B8 Armstrong Mall Southwood Farnborough Hants GU14 0NR		T: 0870 267 6484	of 4

