

EB0038 3-Phase Conversion

For use with Advenco control panels

The Advenco EB0038 6 kW Immersion Heater may require reconfiguration to suit 3-phase electrical supplies and 3-phase connections within Advenco hot water system control panels.



Danger
400 Volts

Procedure to be carried out by suitably trained operatives only.
Isolate electrical supply prior to works.

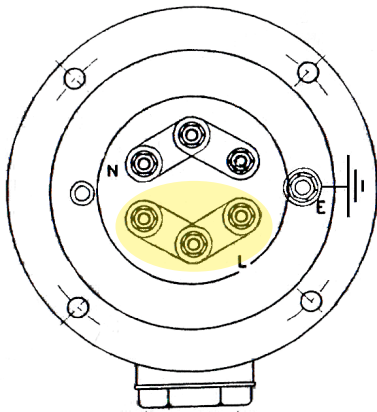


Figure 1: EB0038 Single Phase Terminal Layout. Thermostat omitted for clarity.

The EB0038 is suitable for use with both single and three phase supplies, but is supplied in a single phase arrangement featuring copper busbar links across the live terminals within the immersion housing.

Single phase electrical specification	
Capacity	6 kW
Supply	240 V / 1 phase / 50 Hz
Wiring	L, N, E
Power (single phase)	26 A

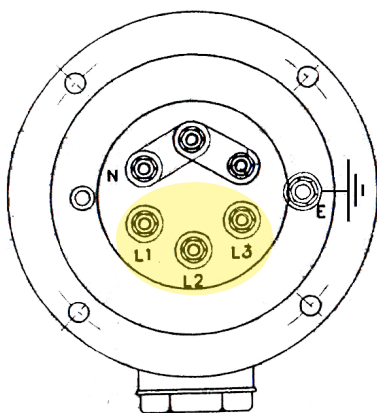
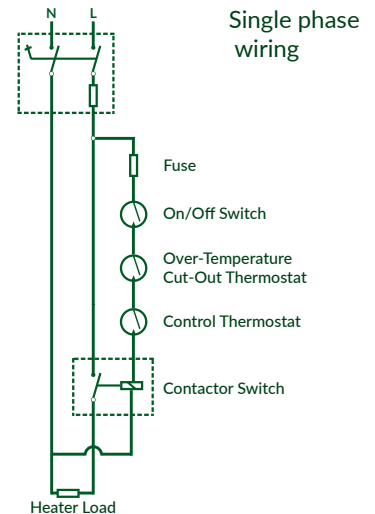


Figure 2: EB0038 Three Phase Terminal Layout

To convert for use with 3-phase wiring, ensure that the element is safely isolated and remove all live wiring before removing the busbar links from the live terminals only.

The neutral terminals may remain linked to serve as a common neutral.

Reconnect 3-phase wiring by installing one phase to each live terminal.

Three phase electrical specification	
Capacity	6 kW
Supply	415 V / 3 phase / 50 Hz
Wiring	L1, L2, L3, N, E
Power (three phase)	9 A/phase

