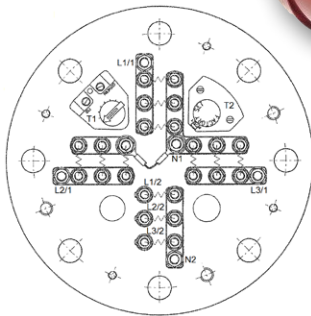
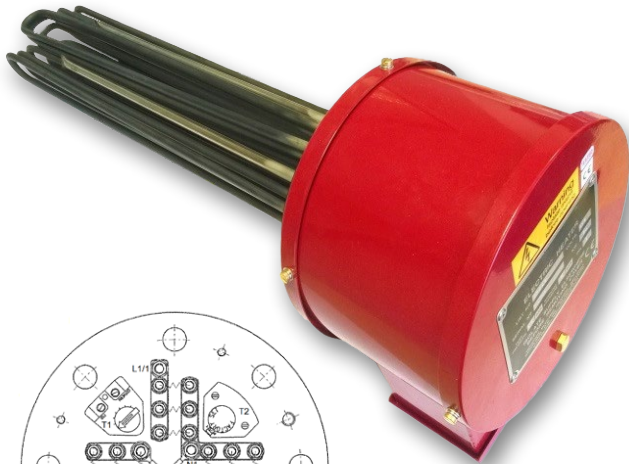


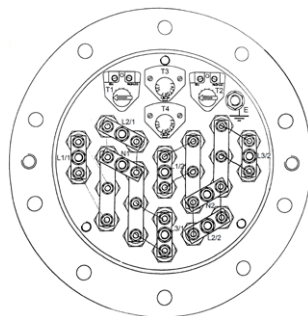
# EB0027/EB0031 18+9/21+21 kW

## Electric Immersion Heater Kits for Indirect Cylinders



↑ EB0027 Terminal layout:

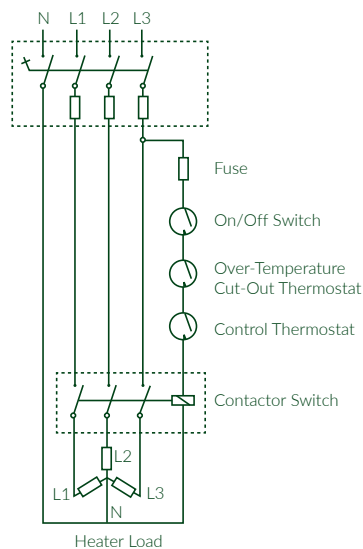
↓ EB0031 Terminal layout:



### Suggested Wiring Layout:

Note that fuses, contactors, isolators, and on/off switches must be supplied separately. Terminal thermostat pockets should remain empty. Thermostat pocket provided should be installed separately, above the elements with at least 300mm separation.

This appliance must be earthed.



The Adveco EB0027 and EB0031 electric immersion heater kits are a range of dual-circuit heaters, delivering an in-built level of redundancy to ensure a continuous supply of hot water even in the event of a primary heater failure.

Both primary and secondary heating elements are housed within a single IP41-rated terminal box, allowing ease of installation and maintenance. The twin elements allow for an ideal duty-backup arrangement, an adjustable heating intensity based on differential tariff supplies, or to serve periods of peak demand.

Each immersion heater is supplied with a gasket and flange to connect directly into the clean-out access of its compatible range of tanks. Also included are control and over-temperature cut-out thermostats, plus pockets, for each element. The elements are operable up to temperatures of 90°C and pressures of up to 10 bar. Due to the high heat intensity of the EB0031, it is recommended to be used only as a backup, or in systems with good scale control measures.

| Technical Specifications  | EB0027   | EB0031   |
|---------------------------|--|--|
| Capacity                  | 18 kW + 9 kW   | 21 kW + 21 kW  |
| Supply                    | 2x: 415 V / 3 phase / 50 Hz  |  |
| Wiring                    | L1, L2, L3, N, E   |  |
| Power (three phase)       | 18 kW: 26 A/phase<br>9 kW: 13 A/phase  | 31 A/phase per circuit   |
| Heat intensity            | 9.2 W/cm <sup>2</sup>  | 13.2 W/cm <sup>2</sup>   |
| Immersed length           | 510 mm (20")   | 518 mm (20.4")   |
| Thermostat configuration  | E0010: Dual control (25-65°C) and overheat (set 80°C) thermostat                                 | E0008: Control thermostat (30-70°C)<br>E0009: Overheat thermostat (set 95°C) |
| Compatible range          | ST/IT/ITE/ITS 400-500<br>SSB/SSI/SST 500-2500  | ST/IT/ITE/ITS 600-1000   |
| Immersion heater part no. | E0048  | E0031  |
| Ancillaries               | Integral control and over temperature thermostat via contactor. EB0028 18/9 kW change-over panel | Integral control and over temperature thermostat via contactor.              |
| Gasket part               | E0042.1  | E0042  |
| Flange size               | 180 mm   | 250 mm   |

Advenco Ltd. Unit 7&8 Armstrong Mall, Southwood Business Park, Farnborough, Hampshire GU14 0NR  
Company Reg : 09493966 T : 01252 551 540 E : enquiries@advenco.co I : www.advenco.co