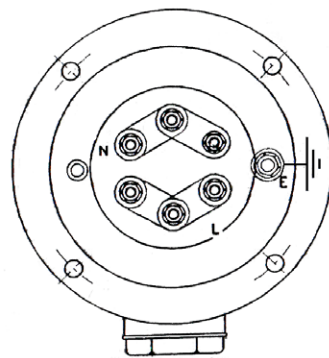


# EB0038 6 kW Immersion Kit

## Electric Immersion Heater Kits for Indirect Cylinders



EB0038 Terminal Layout

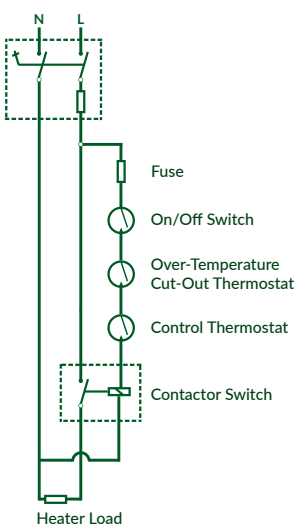


### Suggested Wiring Layouts:

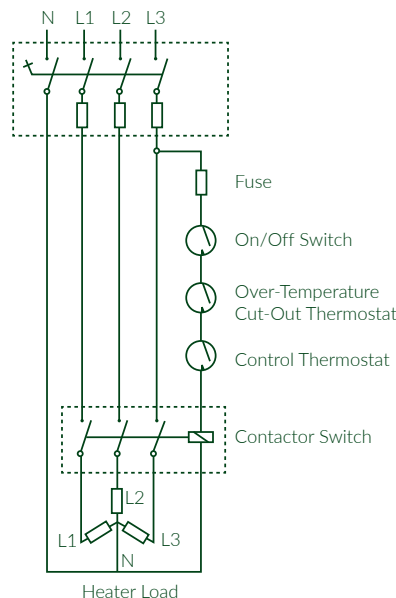
Note that fuses, contactors, isolators, and on/off switches must be supplied separately.

This appliance must be earthed.

#### Single phase:



#### Three phase:



The Advenco EB0038 electric immersion heater kit is designed for use as a supplementary element to grant a reliable level of reserve heating capacity in the event of a primary heat source failure.

Using an electric immersion heater as a backup source of water heating is a practical alternative to installation of an entire secondary heating unit, and is both unobtrusive to existing systems and easily maintained.

The immersion heater features a 1.5" screwed connection and integrated dual control and overheat thermostat contained within the immersion housing. The element is suitable for working temperatures up to 90°C and working pressures of up to 6 bar.

Technical Specifications	EB0038
Capacity	6 kW
Supply	240 V / 1 phase / 50 Hz Suitable for 3ph conversion
Wiring (single phase)	L, N, E
Wiring (three phase)	L1, L2, L3, N, E
Power (single phase)	26 A
Power (three phase)	9 A/phase
Max. operating pressure	6 bar
Max. operating temperature	90°C
Heat intensity	10.1 W/cm <sup>2</sup>
Immersed length	510 mm (20")
Cold zone	100 mm (4")
Integrated dual control and overheat thermostat	Control range: 25-65°C Overheat set: 80°C
Compatible range	GLE
Boss connection size	1.5"
Immersion heater part no.	E0071
Ancillaries	Integral control and overheat thermostat via contactor

Advenco Ltd. Unit 7&8 Armstrong Mall, Southwood Business Park, Farnborough, Hampshire GU14 0NR  
Company Reg : 09493966 T : 01252 551 540 E : enquiries@advenco.co I : www.advenco.co

