

EB0039/EB0040 9-12 kW

Electric Immersion Heater Kits for Indirect Cylinders

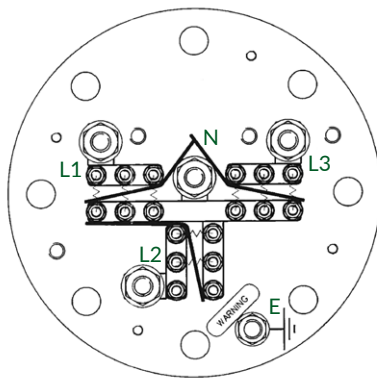


The Adveco EB0039 and EB0040 electric immersion heater kits are designed for use as duty electric heating elements to provide domestic hot water when used in combination with a storage or indirect vessel.

The EB0039 and EB0040 heating elements have been designed to exhibit reduced scale formation due to a low heat intensity, improving reliability and longevity in electric-only installations.

The immersion heater features a flanged connection and is supplied with a gasket ready for connection to the water heater. An Adveco E0010 combined control and overheat thermostat is included for installation in the tank above the location of the element. The element is suitable for working temperatures up to 90°C and working pressures of up to 6 bar.

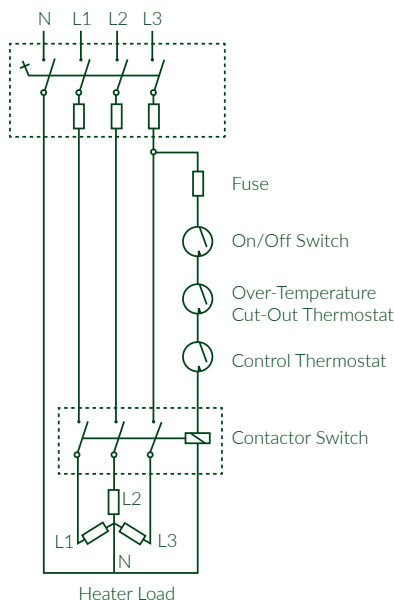
EB0039/EB0040
Terminal Layout



Suggested Wiring Layout:

Note that fuses, contactors, isolators, and on/off switches must be supplied separately. Terminal thermostat pockets should remain empty. Dual stat pocket provided should be installed separately, above the elements with at least 300mm separation.

This appliance must be earthed.



Technical Specifications	EB0039	EB0040
Capacity	9 kW	12 kW
Supply	415 V / 3 phase / 50 Hz	415 V / 3 phase / 50 Hz
Wiring	L1, L2, L3, N, E	L1, L2, L3, N, E
Power (three phase)	13 A/phase	17 A/phase
Heat intensity	6.0 W/cm ²	6.1 W/cm ²
Immersed length	405 mm (16")	510 mm (20")
Dual control and overheat thermostat, part no. E0010	Control range: 25-65°C Overheat set: 80°C	
Compatible range	GLE	GLE
Gasket part no.	E0042.1	E0042.1
Immersion heater part no.	E0072	E0073
Ancillaries	Integral control and overheat thermostat via contactor	