
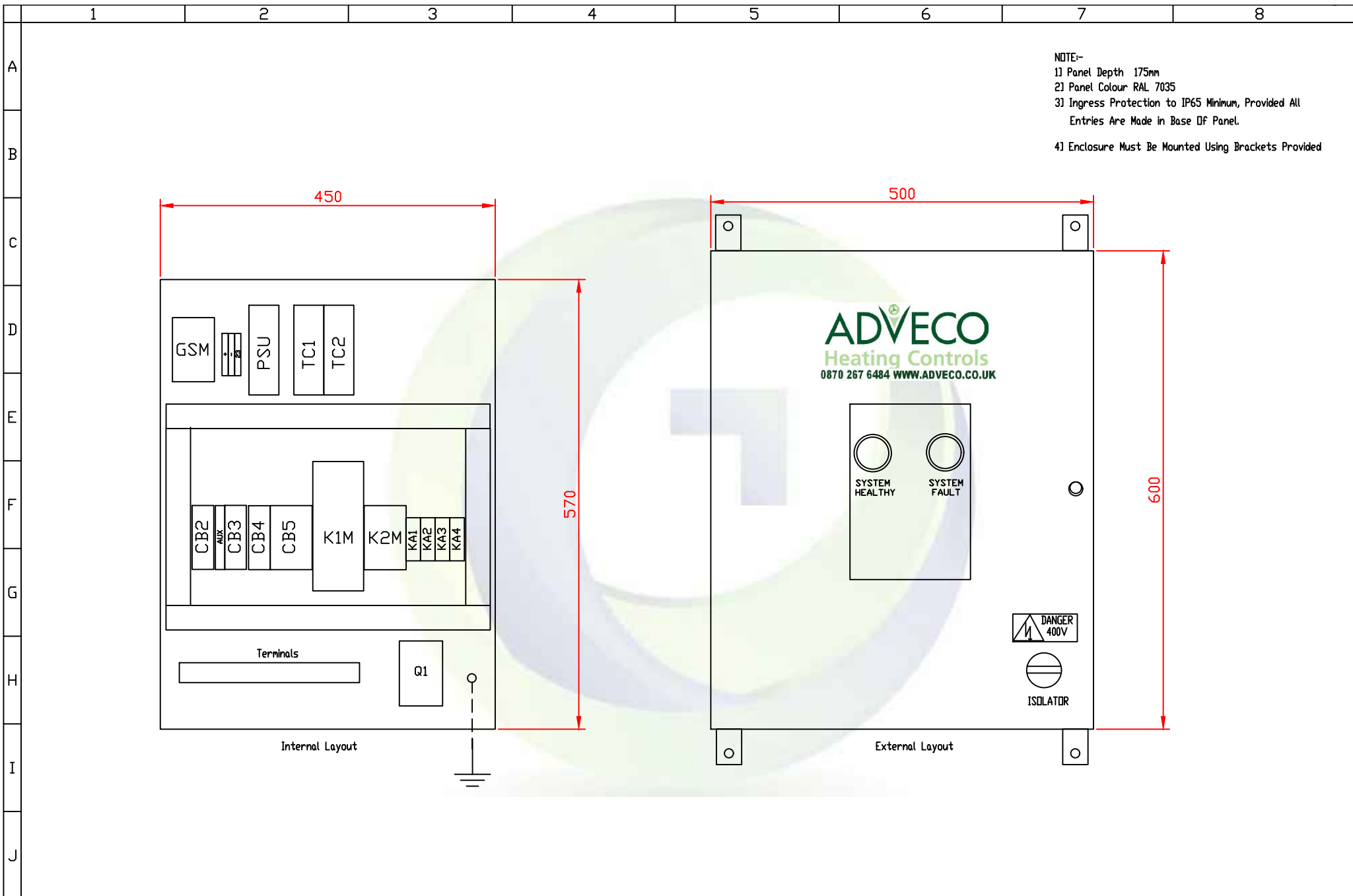


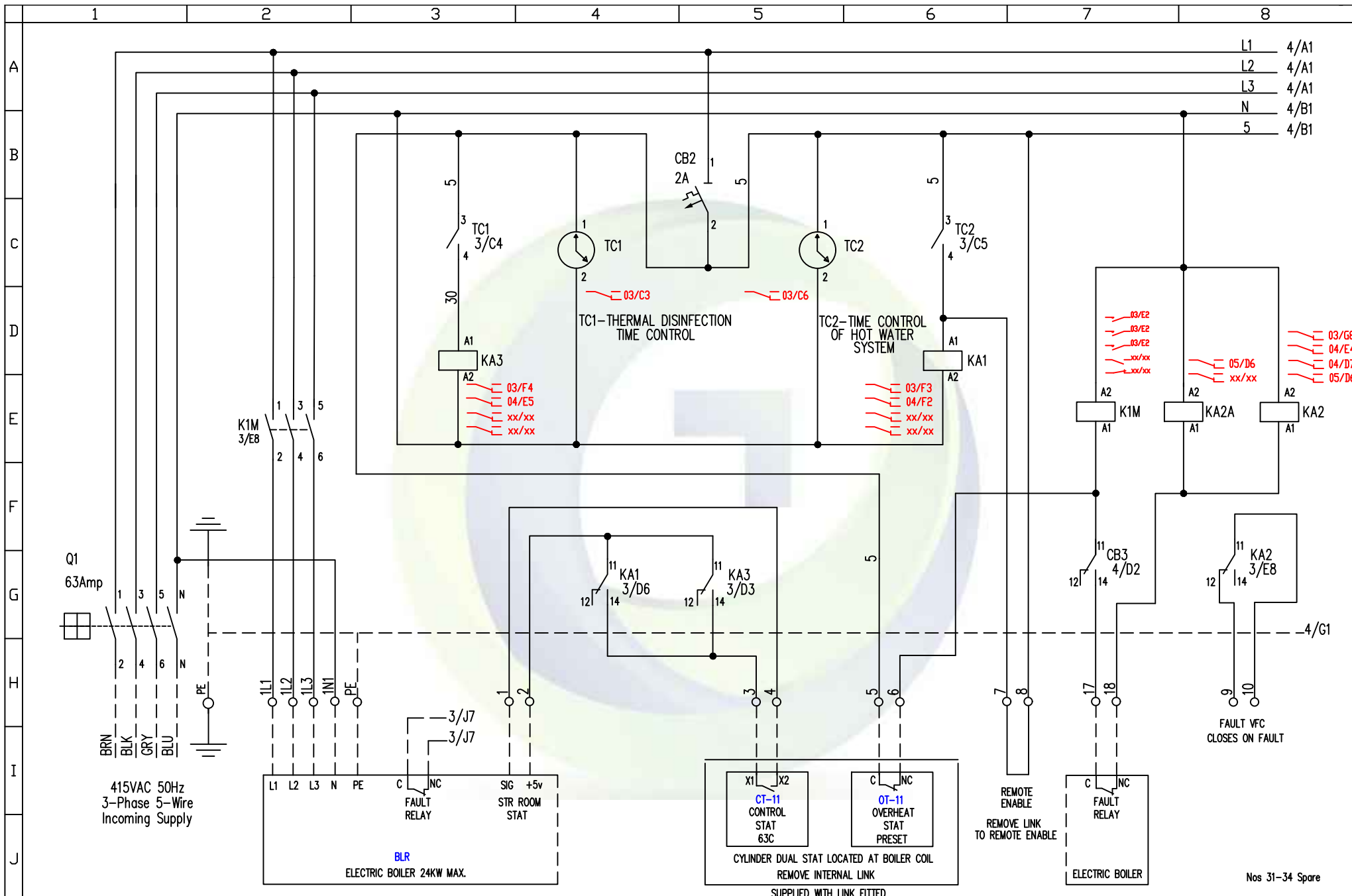
	1	2	3	4	5	6	7	8			
A	Issue	Revision	Sheet	By	Date	<u>Drawing Control Notes</u>					
	0	Original Issue Pre-Production	1-5	WW	20/05/23				Arrangement Drawing Panel/Kiosk	2	
B	A	For Approval	1-5	WW	20/05/23				Wiring Schematic	3-5	
	B	As Built	1-5	WW	xx/xx/xx				Terminal Plan	xx	
C	C	As Tested/Comissioned	1-5	WW	xx/xx/xx				Labels	2	
	D	Boiler Fault Interlock Mod.	1-5	WW	06/12/23	Enclosure	Std Manufacturer				
D						<u>Cable Colours</u>					
						415VAC L1	Brown				
						415VAC L2	Black				
						415VAC L3	Grey				
E	<p>NOTES</p> <p>ALL GLANDING IS CARRIED OUT IN THE BASE OF ENCLOSURE TO MAINTAIN INGRESS PROTECTION</p> <p>INCOMING SUPPLY MUST HAVE EARTH CONDUCTOR AND BE BONDED TO EQUIPOTENTIAL STUD PROVIDED</p> <p>TC2 TIMER USED TO TIME CONTROL HOT WATER SYSTEM. FACTORY SET TO PERMANENTLY ON. (TO BE SET BY USER)</p> <p>TC1 TIMER USED FOR THERMAL DISINFECTION VIA DESTRAT PUMP AND WILL OVERRIDE TC2 TO TURN ON IMMERSION HEATER</p> <p>TC1 IS FACTORY SET TO DISINFECT TWICE PER WEEK FOR 2 HOURS.</p> <p>A SITE LEGIONELLA RISK ASSESSMENT MUST BE CARRIED OUT AND THE DISINFECTION PROGRAM ALTERED TO MEET THE RECOMMENDATIONS OF THE ASSESSMENT.</p>					415VAC N	Blue				
F						EQUIP	Grn/Ylw				
						240VAC L	Brown				
						240VAC N	Blue				
						110VAC L	Red				
						110VAC N	Blue				
G						24VAC L	White				
						24VAC N	Orange				
H						24VDC +	Blue				
						24VDC -	Blue				
I						<u>Miscellaneous</u>					
						Ammeters CT Circuits	White				
						4-20mA	Yellow				
J						VFC	Red				
	IS	Blue									
	Telemetry	Pink									

 <p>ADVECO Heating Controls 0870 267 6484 WWW.ADVECO.CO.UK</p>	Scale	[Not to Scale]	Originator	Title	Issue	Drawing Number	Sheet
	Drawn	WW	Adveco Ltd	Boiler Control Panel Type 810110 Project Control Sheet	D	WEP20501	1
	Date	20/05/23					
	Checked	BS					
	Approved						
Unit B8 Armstrong Mall Southwood Farnborough Hants GU14 0NR			T: 0870 267 6484	of 5			

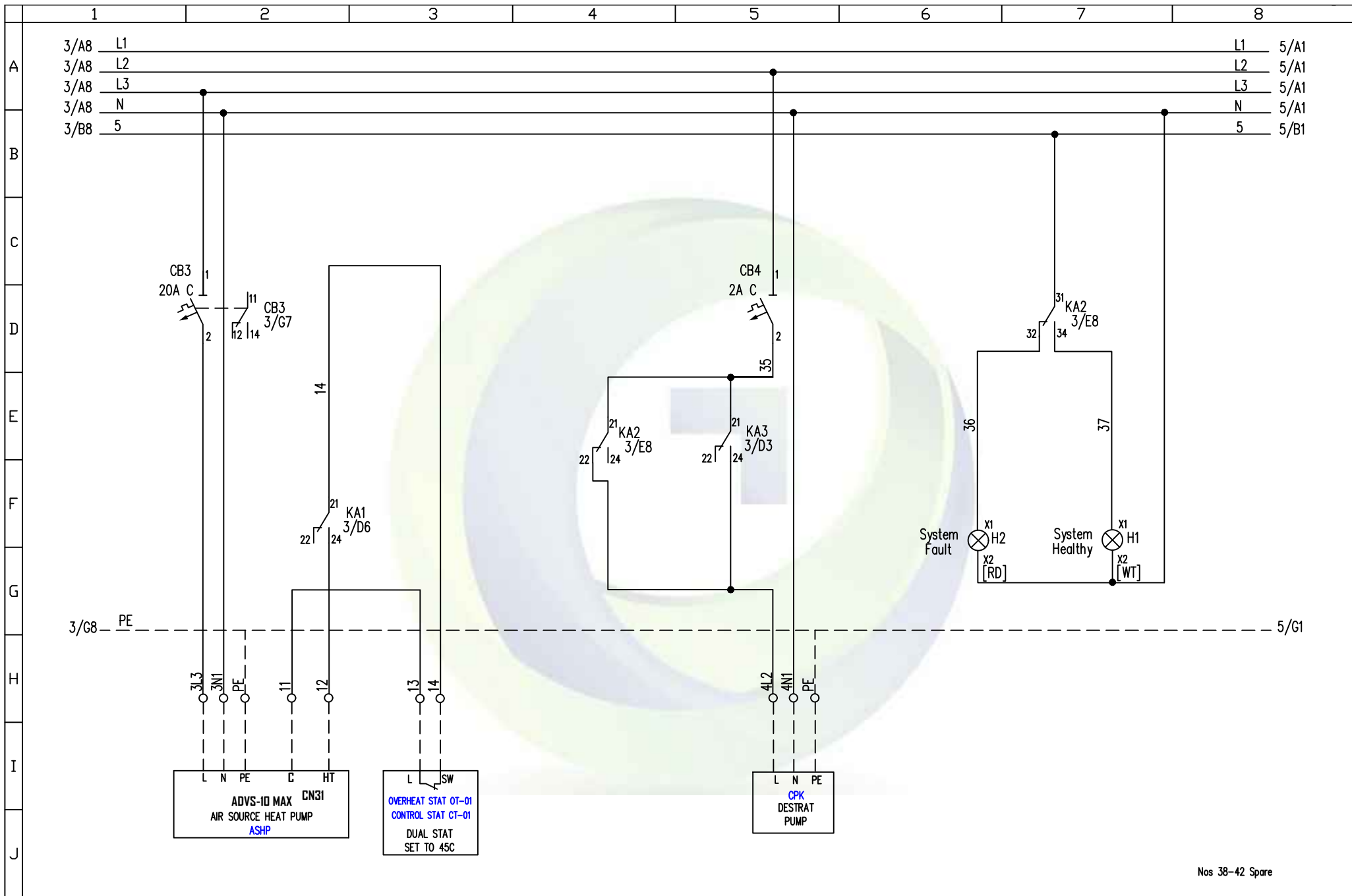


NOTE:-
 1) Panel Depth 175mm
 2) Panel Colour RAL 7035
 3) Ingress Protection to IP65 Minimum, Provided All Entries Are Made in Base Of Panel.
 4) Enclosure Must Be Mounted Using Brackets Provided

<p>0870 267 6484 WWW.ADVECO.CO.UK</p>	Scale	[Not to Scale]	Originator	Title	Issue	Drawing Number	Sheet
	Drawn	WW	Advenco Ltd	Boiler Control Panel Type 810110 General Arrangement	D	WEP20501	2
	Date	20/05/23					
	Checked	BS					
	Approved		Unit B8 Armstrong Mall Southwood Farnborough Hants GU14 0NR		T: 0870 267 6484	of 5	

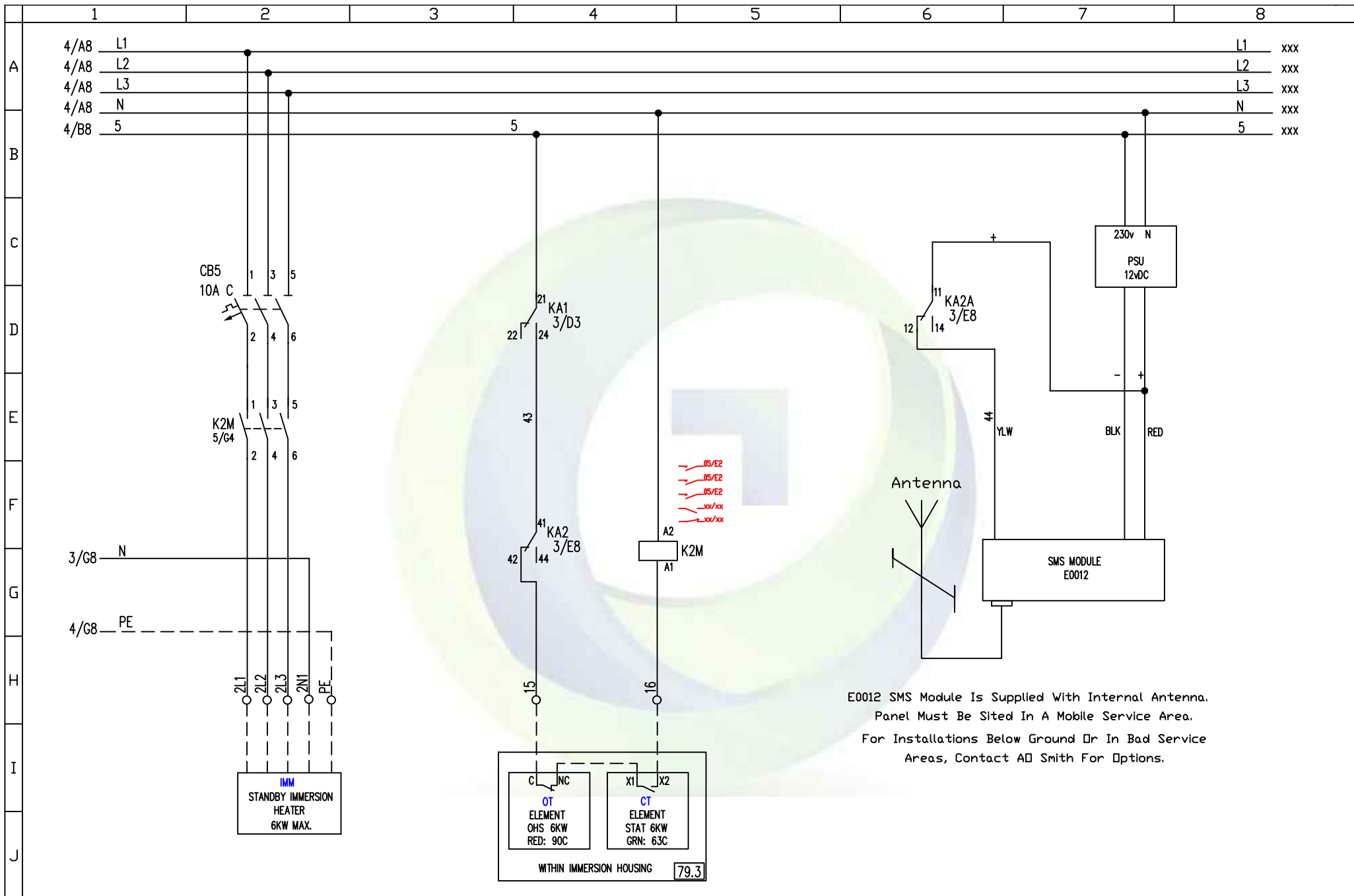


 0870 267 6484 WWW.ADVECO.CO.UK	Scale	[Not to Scale]	Originator	Title	Issue	Drawing Number	Sheet
	Drawn	WW	Adveco Ltd	Boiler Control Panel Type 810110 Wiring Schematic	D	WEP20501	3
	Date	20/05/23					
	Checked	BS					
	Approved		Unit B8 Armstrong Mall Southwood Farnborough Hants GU14 0NR			T: 0870 267 6484	of 5



Nos 38-42 Spare

<p>ADVECO Heating Controls 0870 267 6484 WWW.ADVECO.CO.UK</p>	Scale	[Not to Scale]	Originator	Title	Issue	Drawing Number	Sheet
	Drawn	WW	Adveco Ltd	Boiler Control Panel Type 810110 Wiring Schematic	D	WEP20501	4
	Date	20/05/23					
	Checked	BS					
	Approved		Unit B8 Armstrong Mall Southwood Farnborough Hants GU14 0NR		T: 0870 267 6484	of 5	



 0870 267 6484 WWW.ADVECO.CO.UK	Scale	[Not to Scale]	Originator	Title	Issue	Drawing Number	Sheet
	Drawn	WW	Adveco Ltd	Boiler Control Panel Type 810110 Wiring Schematic	D	WEP20501	5
	Date	20/05/23					
	Checked	BS					
	Approved						
			Unit B8 Armstrong Mall Southwood Farnborough Hants GU14 0NR	T: 0870 267 6484	of 5		